

Inspection Certificate

Controlecertificaat • Kontrollschein • Bulletin de contrôle • Certificato di controllo • Certificado de control • Kontrollskjema • Kontrol Certifikat • Tarkastustodistus • Besiktningsprotokoll

Art. Nr. CP6051 / 882155

Please keep safely!

Zorgvuldig te bewaren! • Bitte gut aufbewahren! • A bien conserver, s.v.p.!
• Da conservare! • ¡A conservar! • Ta vare på denne! • Opbevares sikkert!
• Ole hyvä ja säilytä huolella! • Vänligen förvara säkert!

English: The house you have purchased was manufactured in accordance with the high quality norms. The building unit has been carefully inspected and packed. In order to avoid possible problems during the assembly carried out by yourself or the building company of your choice, we recommend that you inspect the delivery for its completeness in accordance with the list of pieces before assembly. This inspection must be carried out within 14 days after delivery to your place. Warranty claims are limited to the exchange of defective materials. Defective building parts, which have already been used or painted, are excluded from being replaced. All further claims are excluded! In cases of complaints, please pay attention to the following procedures: Please present this inspection certificate along with the sales receipt to your place of purchase. Only in cases where these documents are presented will the complaint be dealt with quickly and without complications.

Dutch: Het door U gekochte tuinhuis werd vervaardigd volgens de hoge kwaliteitsnormen. Het tuinhuis werd zorgvuldig gecontroleerd en verpakt. Om tijdens de montage, uitgevoerd door Uzelf of een door U gekozen aannemer, problemen te vermijden, raden we U aan, vóór de montage, de levering te controleren op volledigheid in overeenstemming met de onderdelenlijst. Deze controle dient te gebeuren binnen 14 dagen na levering bij U thuis. Waarborgvorderingen zijn beperkt tot het vervangen van gebrekkig materiaal. Gebrekkige onderdelen die reeds gebruikt of geschilderd zijn, zijn uitgesloten van vervanging. Alle latere vorderingen zijn uitgesloten! In geval van klachten, gelieve dan te letten op de volgende procedure: Leg dit controlecertificaat, samen met Uw aankoopbewijs voor aan Uw verkoper. Enkel in gevallen waarbij deze documenten voorgelegd worden, zal de klacht snel en zonder complicaties behandeld worden.

Deutsch: Das von Ihnen gekaufte Haus wurde nach der hohen Qualitätsnorm gefertigt. Der Bausatz wurde sorgfältig geprüft und verpackt. Um etwaige auftretende Probleme während des Aufbaus durch Sie oder Ihre Aufbaufirma zu vermeiden, kontrollieren Sie bitte die Lieferung auf Vollständigkeit laut Stückliste vor dem Aufbau. Diese Kontrolle muss innerhalb 14 Tagen nach Anlieferung bei Ihnen erfolgen. Ansprüche auf Gewährleistung beschränken sich auf den Austausch von fehlerhaftem Material. Fehlerhafte Bauteile, die bereits verbaut oder gestrichen wurden, sind vom Umtausch ausgeschlossen. Alle weiteren Ansprüche sind ausgeschlossen! Sollte es zu einer Beanstandung kommen, beachten Sie folgende Vorgehensweise: Legen Sie Ihrem Fachhändler diesen Kontrollschein zusammen mit dem Einkaufsbeleg vor. Nur bei Vorlage dieser Unterlagen ist eine schnelle und problemlose Bearbeitung Ihrer Beanstandung möglich.

Français: La cabane que vous venez d'acheter a été fabriqué en respectant de hautes normes de qualité. L'ensemble de construction a été testé et emballé avec soin. Afin d'éviter des problèmes éventuels pendant la construction par vous-même ou la société de construction mandatée, nous vous prions de bien vouloir vérifier que toutes les pièces ont été fournies selon la liste des pièces avant que vous ne commenciez la construction. Il vous incombe de faire ce contrôle dans les 14 jours après la fourniture. Les revendications en dédommagement se limitent à l'échange de matériel défectueux. Des pièces de construction défectueuses, déjà construites ou peintes, sont exclues de tout échange. Toutes les revendications ultérieures sont exclues ! Si une réclamation avait lieu, veuillez respecter le déroulement suivant : Il vous faudra présenter, à votre commerçant spécialisé, ce bulletin de contrôle avec le récépissé de l'achat. Ce ne sera que moyennant présentation de ces documents qu'un traitement rapide et sans problème de votre réclamation sera possible!

Italiano: La casetta che avete acquistato è stata prodotta secondo la norma di alta qualità. Il kit è stato controllato ed imballato con cura. Per evitare eventuali inconvenienti durante il montaggio, si prega di verificare, prima del montaggio, la completezza della fornitura in base alla distinta dei pezzi. Tale verifica deve essere effettuata entro 14 giorni dalla consegna. Eventuali diritti di garanzia si limitano alla sostituzione di materiale difettoso. Gli elementi difettosi già montati o verniciati sono esclusi dal diritto alla sostituzione. Ogni altro diritto resta escluso! In caso di reclamazione, procedere nel modo seguente: presentare questo certificato di controllo unitamente alla prova d'acquisto al rivenditore. Solo in questo modo la Sua reclamazione potrà essere evasa rapidamente e senza problemi.

Español: La casa que ha adquirido ha sido fabricada de acuerdo con normas de alta calidad. Las piezas de la casa han sido cuidadosamente inspeccionadas y embaladas. Con el fin de evitar posibles problemas durante el montaje, hecho por usted o por la empresa de construcción de su elección, le recomendamos revisar el paquete entregado, con la lista de piezas, antes de armar la casa. Haga la revisión dentro de 14 días después de recibir el paquete. La garantía se limita a reemplazar las piezas defectuosas. No se reemplazarán las partes defectuosas que ya hayan sido utilizadas o pintadas. ¡No se aceptan otras reclamaciones! En casos de queja, por favor, presente este certificado junto con la factura en el lugar donde hizo la compra. Sólo presentando estos documentos podremos resolver su problema rápidamente y sin complicaciones.

Norsk: Produktet du har kjøpt, ble produsert i henhold til høye kvalitetskrav. Produktet har blitt kontrollert nøye og deretter omhyggelig pakket. For å unngå mulige problemer under monteringen, uansett om du gjør det selv eller får en godkjent håndverker til å gjøre det, anbefaler vi at du kontrollerer leveransen mot delelisten for å se om alle delene er inkludert. Denne kontrollen må gjøres innen 14 dager etter at delene ble levert til din adresse. Garantikrav begrenser seg til bytte av defekte deler. Defekte elementer som allerede har blitt brukt eller malt/beiset/limt, vil ikke bli erstattet. Alle andre krav er utelukket! Dersom du har en reklamasjon, vennligst gjør som følger: Lever dette kontrollskjema med kvitteringen til salgsstedet. Bare når du har med disse dokumentene kan klagen behandles raskt og uten komplikasjoner.

Dansk: Det købte hus er fremstillet i overensstemmelse med de høje kvalitetskrav. Produktet er blevet omhyggeligt inspiceret og pakket. For at undgå eventuelle problemer i løbet af monteringen udført af dig selv eller håndværker af dit eget valg, anbefaler vi, at du undersøger leverancen for fuldstændighed i overensstemmelse med listen over dele før samling. Denne inspektion skal foretages inden 14 dage efter levering til din plads. Garantikrav er begrænset til udveksling af defekte materialer. Defekte bygningsdele, som allerede er brugt eller malet, er udelukket fra at blive erstattet. Alle yderligere krav er udelukket! I tilfælde af klager, skal du være opmærksom på følgende procedurer: Venligst præsenter denne kontrol certifikat sammen med kvitteringen til det sted hvor produktet er købt. Kun i de tilfælde, hvor disse dokumenter er forelagt kan klagen behandles hurtigt og uden komplikationer.

Suomi: Ostamasi mökki on valmistettu korkeita laatuvaatimuksia noudattaen. Rakennus on huolella tarkastettu ja pakattu. Jotta pystytys joko itsesi tai valitsemasi rakennusliikkeen toimesta sujuisi ongelmitta, suosittelme, että tarkistat toimituksen sisällön osaluettelon avulla ennen kokoamisen aloittamista. Tämä tarkistus tulee tehdä 14 päivän kuluessa toimituksesta. Takuuvaateet rajoittuvat viallisten materiaalien vaihtamiseen. Viallisia osia, joita on jo käytetty ja jotka on maalattu, ei vaihdeta uusiin. Lisävaatimuksia ei huomioida! Mahdollisissa valitustapauksissa toimi seuraavasti: Esitä oheinen tarkastustodistus ja kassakuitti ostopaikassa. Valituksen nopea ja mutkaton käsittely edellyttää näiden asiakirjojen esittämistä.

Svenska: Huset du köpt har tillverkats i enlighet med de högsta kvalitetsstandarderna. Byggnadens delar har noggrant besiktigats och förpackats. För att undvika eventuella problem under monteringen som du utför själv eller låter en hantverkare att utföra, rekommenderar vi att du, innan monteringen påbörjas, besiktigar leveransen för att säkerställa att den är komplett enligt förteckningen över ingående delar. Denna besiktning måste utföras inom 14 dagar efter att du tagit emot leveransen. Garantianspråk är begränsade till ersättning av defekt material. Defekta byggnadsdelar, vilka redan har använts eller målats, ersätts inte. Alla vidare anspråk avvisas! I händelse av reklamationer, vänligen uppmärksamma följande: uppvisa detta besiktningsprotokoll tillsammans med inköpsbeviset till ditt inköpsställe. Endast om dessa dokument uppvisas kan vi garantera att reklamationen behandlas skyndsamt och utan krångel.

Factory inspection by • Fabrikscontrole door • Werkskontrolle durch • Contrôle à partir de l'usine par • Collaudato da • Inspector de fábrica • Fabrikkontroll utført av • Fabriks Kontrol udført af • Tehtaan tarkastaja • Fabriksbesiktigat av:

Pack number • Pack Nr. • Pack Nr. • Packet n° • Pacco N. • Paquete N° • Serien • Pakettintro • Produktionsnummer:

Date • Datum • Date • Data • Fecha • Dato • Päiväys • Datum:

To be completed by buyer! (Please use block letters) • In te vullen door de verkoper! (Graag in drukletters) • Vom Käufer auszufüllen! (Bitte in Druckschrift) • A remplir par l'acheteur! (en lettres d'imprimerie, s'il vous plaît) • Da compilare dall'acquirente! (in stampatello) • ¡Completa el cliente! (en mayúsculas) • Fylles ut av kjøper! (Vær vennlig å bruke blokkbokstaver) • Udfyldes af køber! (Benyt venligst Blokbogstaver) • Ostaja täyttää! (Ole hyvä ja käytä isoja kirjaimia) • Fylls i av köparen! (Vänligen texta):

Place of purchase • Plaats van aankoop • Bezugsquelle • Source d'achat • Acquistato presso • Lugar de compra • Salgssted • Salgs sted • Ostopaikka • Inköpsställe:

Sales receipt No. • Aankoopbewijs Nr. • Kaufbeleg-Nr. • Récépissé n° • Prova d'acquisto N. • Recibo N° • Kvitteringsnr • Kasse Bon nr • Kassakuitin numero • Försäljningskvittots nummer:

Sales receipt date • Aankoopbewijs -Datum • Kaufbeleg-Datum • Date du récépissé • Data prova d'acquisto • Fecha recibo • Kvitteringsdato • Kasse bons dato • Kassakuitin päiväys • Försäljningskvittots datum:

Delivery date • Leveringsdatum • Lieferdatum • Date de livraison • Data di consegna • Fecha de Entrega • Leveringsdato • Leverings dato • Toimituspäivä • Leveransdatum:

Buyer's address • Adres koper • Kundenanschrift • Adresse du client • Indirizzo del cliente • Dirección del cliente • Kjøpers adresse • Købers adresse • Ostajan osoite • Köparens adress:

Telephone • Telefoon • Telefon • Téléphone • Teléfono • Telefon • Telefon nr • Puhelin • Telefon:

Forwarder: Pick-up Others • Door: Verzending Zelf • Afhalen: Spedition Selbstabholer • Par: Transporteur Propres moyens • Tramite: Spedizioniere Mezzo proprio • Entrega: Transporte organizado transporte propio • Transportør: Sendes Hentes • Transportør: Sendes Hentes • Rahdinkuljettaja: Nouto Muut • Speditör: Avhämtning Övrigt

Description of complaint • Beschrijving van de klacht • Schilderung der Beanstandung • Description de la réclamation • Descrizione della reclamazione • Descripción del problema • Beskrivelse av feil/ mangel • Beskrivelse af fejl / Mangel • Valituksen kuvaus • Beskrivning av reklamationen: **Please keep the parts which are the object of the complaint until the complaint is settled!** • Gelieve de betrokken onderdelen te bewaren tot de klacht is afgehandeld • Veuillez garder les pièces contestées jusqu'à ce que la réclamation soit traitée définitivement! • Si prega di conservare i pezzi reclamati fino all'evasione della reclamazione! • Por favor, conserve las piezas objeto de la queja hasta que el problema haya sido resuelto • Please Vær vennlig å ta vare på de aktuelle delene/ produktet inntil saken er avsluttet! • Venligst ta hånd om de aktuelle dele / produkt indtil sagen er afsluttet! • Ole hyvä ja säilytä osat, joita valitus koskee, kunnes valitus on käsitelty! • Vänligen behåll delarna som är föremål för reklamation tills reklamationen har behandlats!

Installation manual

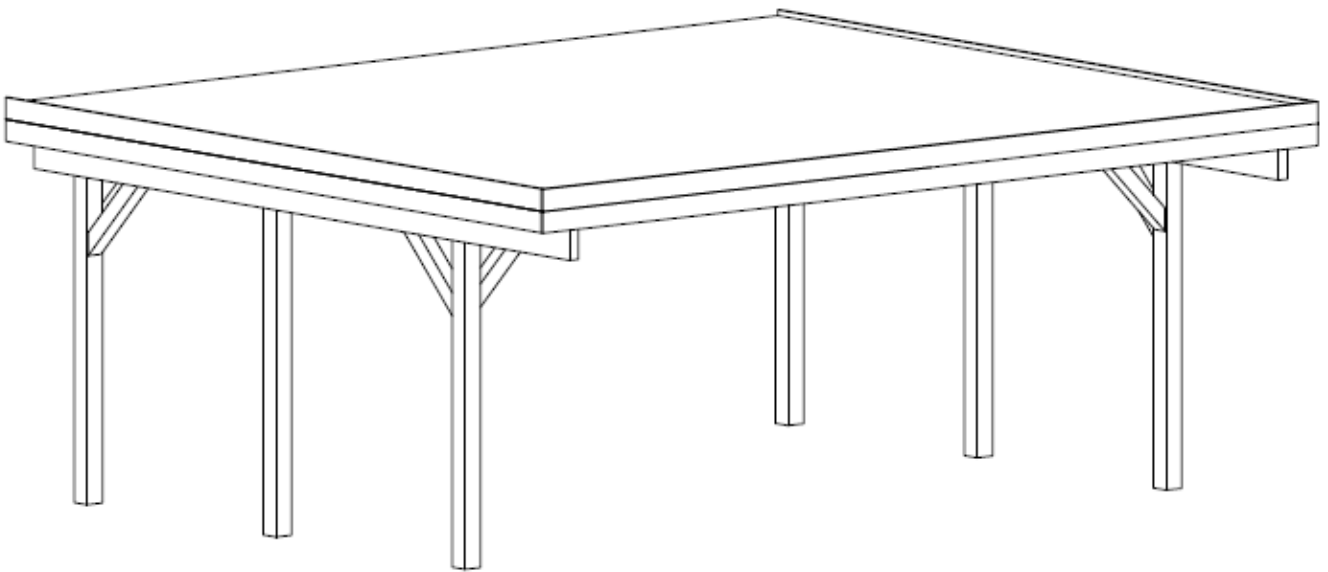
Montageanleitung • Notice de montage • Istruzioni per il montaggio
Manual de montaje • Monteringsanvisning • Installatiegids

Carport CP6051/882155

Blockhaus • Maisonnette en poutres • Casa di travi • Casa de jardin • Anneks • Tuinhuis

Width 600 x Depth 510 x Height 215 cm

Breite/Tiefe/Höhe • Largeur/Profondeur/Hauteur • Lunghezza/Profondita/Altezza • Ancho/Profundidad/Altura •
Bredde/Dybde/Højde • Breedte/Diepte/Hoogte



1 General information



Dear client,

We are glad that you have decided in favour of our carport!

Please read the assembly manual carefully before proceeding with the carport installation! You will thus avoid problems and will not waste time.

Recommendations:

- Keep the carport package until its complete assembly in a dry place, but not in direct contact with the ground, protected from weather conditions (moisture, the sun, etc.). Do not keep the carport package in a heated room!
- When selecting the carport location, make sure that the carport will not be subjected to extreme weather conditions (areas of strong snowfall or winds).



Warranty

Your carport is made from high quality fir and delivered in the natural (unprocessed) form. If, despite our thorough inspection, you should have complaints, please submit the filled out control sheet and purchase invoice to the product seller.

ATTENTION: Please be sure to keep the documentation accompanying the house package! The control sheet includes the control number of the carport. We can only review complaints if you submit the control number of the house to the seller!

The warranty does not cover:

- Peculiarities of wood as a natural material
- Wooden details already painted (processed with a wood preservative)
- Wooden details containing whole branches that do not endanger the stability of the carport
- Colour tone variations caused by wood structure differences that do not influence wood lifetime
- Wooden details containing (caused by drying) small cracks/gaps that do not pass through and do not influence the structure of the carport
- Twisted wooden details if they can nevertheless be installed
- Roof boards that may have on their concealed surfaces some non-planed areas, colour differences and waning
- Complaints resulting from an incompetent manner of the installation of the carport or the carport subsiding due to an incompetently made foundation
- Complaints caused by introducing self-initiative changes to the carport, such as the deformation of wooden details due to an incompetent manner of wood processing

The complaints covered by the warranty are satisfied to the extent of replacing the deficient/faulty material. All other demands will be excluded!



Painting and maintenance

Wood is a natural material, growing and adapting depending on weather conditions. Large and small cracks, colour tone differences and changes, as well as a changing structure of wood are not errors, but a result of wood growing and a peculiarity of wood as a natural material.

Unprocessed wood (except for foundation joists) becomes greyish after having been left untouched for a while, and can be turn blue and become mouldy. To protect the wooden details of your carport, you must immediately process them with a wood preservative.

We recommend that you cover your carport in advance with a colourless wood impregnation agent. Only this will prevent moisture penetration.

After the carport assembly is completed, we recommend for the conclusive finishing a weather protection paint that will protect wood from moisture and UV radiation.

When painting, use high quality tools and paints, follow the paint application manual and manufacturer's safety and usage instructions. Never paint a surface in strong sunlight or rainy weather. Consult a specialist regarding paints suitable for unprocessed softwood and follow the paint manufacturer's instructions.

Having been properly painted, your carport's lifetime will increase substantially. We recommend that you inspect the carport thoroughly once every six months.

2 Preparation for assembly

Tools and preparation of components

To assemble the carport, you will need the following tools:



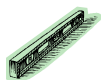
assembly aid



ladder



hammer



water-level



screwdriver



saw



knife



measuring tape



pliers



drill

ADVICE: To avoid splinters, we recommend that you wear the corresponding protective gloves during the assembly process.

3. ASSEMBLY

We recommend installing the carport by at least two persons.

- It is important to check from the specifications that all the components are present prior to starting to installation of the carport.
- Arrange the components according to the order of installation.

A good foundation is the most important aspect in ensuring the durability and security for your carport. Only a totally level, rectangular and load bearing foundation can guarantee hassle-free installation of the carport and its stability. With a good foundation your carport will last many years longer. We recommend a point foundation for the carport. Seek a specialist consultation or have the foundation prepared by professionals.

NB! Materials necessary for the foundation (concrete mix, beam support brackets, bolts) are not included in the carport kit and they have to be purchased separately.

First, locate the positions of posts according to Fig. 1, or Fig. 1a in case of laminated wood arch. Prepare the foundations for posts. Place the beam support brackets to the location of posts. There are two options for getting the necessary roof incline for the carport:

- a) by placing the beam support brackets at different heights (see Fig. 2)
- b) by cutting the back posts shorter respectively

Place the posts so that the cuts at the upper end of posts are facing outwards. Then fix the posts with respective bolts in the beam support brackets.

Position the beams (Pos. 2). Check the overhang in front and at the back according to Fig. 1, or according to Fig. 1a in case of laminated wood arch. Drill the beams through the opening at the end of the beam. Check that the components would be level and rectangular. Fix the beams to the post with a bolt, nut and washer (Pos. 13-15).

Position the rafters (Pos. 3). See the distances from Fig. 3. Fix the rafters with squares (Pos. 19).

Then install the support components (Pos. 4). See the location of components from Fig. 2 and Fig. 3. Fix with squares (Pos. 20).

Position the angle braces (Pos. 5) and secure them to the posts at the lower end, using a bolt and a washer (Pos. 16 and 17), and to the support component (Pos. 4) at the upper end, using screws (Pos. 21).

Install the rest of the angle braces (Pos. 6 and 7) by repeating the procedure with component No. 5.

Next, fit the diagonals (Pos. 8) to make the carport even more stable. Diagonals should be fastened with screws (Pos. 22) to the underside of the rafters according to Fig. 3.

Then install the fascia boards (Pos. 9 and 10) and fix with screws (Pos. 22).

Check before installing the roof-boards that the carport would be absolutely level. Roof-boards (Pos. 11) should be fastened with nails (Pos. 23).

Then fix the roof interior angle slats (Pos. 12) with nails (Pos. 23).

And finally, suitable roof covering materials should be laid (not included!).

I. Generelles



Sehr geehrter Kunde,

es freut uns, dass Sie sich für unser Carport entschieden haben!

Es ist wichtig, diese Aufbauanleitung vollständig durchzulesen, bevor Sie mit dem Aufbau Ihres Carports beginnen! So vermeiden Sie Probleme und unnötigen Zeitverlust.

Tipps:

- Lagern Sie den Bausatz bis zur endgültigen Montage trocken und nicht direkt auf dem Erdboden, geschützt vor Witterungseinflüssen (Nässe, Sonneneinwirkung, etc.). Ware bitte nicht in einem geheizten Raum aufbewahren!
- Achten Sie bei der Standortwahl darauf, dass das Carport nicht extremen Witterungsbedingungen (Gebiete mit starkem Wind) ausgesetzt ist.



Gewährleistung

Ihr Carport besteht aus hochwertigem nordischen Fichtenholz und wird unbehandelt geliefert. Wenn es trotz unserer sorgfältigen Werkskontrolle zu Reklamationen kommen sollte, legen Sie Ihrem Fachhändler den ausgefüllten Kontrollschein mit Ihrer Einkaufsrechnung vor!

WICHTIG: Bitte unbedingt die Dokumentation aufbewahren! Auf dem Kontrollschein finden Sie die Kontrollnummer des Carports. Es ist möglich, die Reklamation nur dann als Garantiefall zu behandeln, wenn Sie die Kontrollnummer Ihrem Fachhändler weitergeben!

Abweichungen, die keinen Reklamationsgrund darstellen:

- Holz ist ein Naturprodukt, daher gehören die naturgegebenen Beanstandungen nicht unter Garantie.
- Materialreklamationen werden nicht akzeptiert, wenn bereits ein Anstrich erfolgte!
- Äste, die mit dem Holz fest verwachsen sind.
- Holzverfärbungen, ohne das dadurch die Lebensdauer beeinflusst wird.
- Risse /Trockenrisse, die nicht durchgehend sind und nicht die Konstruktion beeinflussen.
- Verdrehungen des Holzes, vorausgesetzt es lässt sich noch verarbeiten.
- An den nicht sichtbaren Seiten von Dachbrettern können die Bretter ungehobelt sein, es können Farbunterschiede und Baumkanten vorkommen.
- Spätere Reklamation durch unsachgemäße Montage, Absacken des Carports durch unsachgemäße Fundamente und Gründungen sind ausgeschlossen.
- Für Schäden, die aus falscher Pflege und unsachgemäßem oder fehlendem Anstrich resultieren (z.B. Verzug von Teilen), können keine Garantieansprüche erhoben werden.

Ansprüche auf Gewährleistung beschränken sich auf den Austausch von fehlerhaftem Material. Alle weiteren Ansprüche sind ausgeschlossen!



Anstrich und Pflege

Holz ist ein Naturprodukt und arbeitet unterschiedlich. Merkmale wie grobe und feine Maserungen, Farbschattierungen und Veränderungen sowie Verwachsungen haben Ihren Ursprung im Wuchs des Baumes. Sie sind bei Hölzern, die in der freien Natur wachsen, normal und deshalb nicht als Fehler, sondern vielmehr als Eigentümlichkeit des Naturwerkstoffes Holz anzusehen.

Das unbehandelte Holz wird nach einiger Zeit vergrauen, kann verbläuen und verschimmeln. Um ihr Carport zu schützen, sollten Sie es mit geeigneten Holzschutzmitteln behandeln.

Um Ihr Carport optimal zu schützen, empfehlen wir es mit einer farblosen Grundierung zu behandeln. Nur auf diese Weise wird das Eindringen der Feuchtigkeit verhindert.

Nach dem Aufbau empfehlen wir Ihnen die Aussenhaut (ohne Dach) zu grundieren. Sobald diese trocken ist, sollten Sie Ihr Carport mit einer Holzlasur streichen, die das Holz vor Feuchtigkeit und UV-Strahlung schützt.

Beim Anstrich benutzen Sie hochwertiges Werkzeug und Farbe, beachten Sie die Sicherheits- und Verarbeitungshinweise des Farbenherstellers. Streichen Sie nie in praller Sonne oder beim regnerischen Wetter. Lassen Sie sich ausführlich bei Ihrem Fachhändler über den Holzschutz für unbehandelte Nadelhölzer beraten.

Durch einen regelmässigen Anstrich beeinflussen Sie im Wesentlichen die Lebensdauer Ihres Carports. Wir empfehlen Ihnen auch eine halbjährliche Inspektion des Carports.

II. Vorbereitung zur Aufbau

Werkzeuge und Vorbereitung der Details

Beim Aufbau brauchen Sie Folgendes:



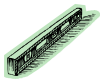
Montagehelfer



Stehleiter



Hammer



Wasserwaage



Schraubenzieher



Säge



Messer



Bandmass



Zange



Bohrer

HINWEIS: Um Verletzungen durch eventuelle Holzsplitter zu vermeiden, tragen Sie bitte während der Montage entsprechende Schutzhandschuhe.

Es ist ratsam, den Aufbau mit mindestens zwei Personen durchzuführen.

III. Aufbau

Zum sicheren, standfesten und fachgerechten Aufbau gehört die sorgfältige Gründung. Es empfiehlt sich, die Pfosten des Carports auf Einzelfundamente zu stellen. **Bitte beachten Sie, dass die Materialien zur Gründung (Beton, Stützenschuhe, Bolzen) nicht im Lieferumfang enthalten sind.**

Als erstes müssen Sie die Fläche vermessen auf der Ihr Carport stehen soll. Legen Sie die Standorte der Pfosten nach der Abbildung Fig. 1 oder bei Leimholzbogen laut Fig 1a fest. Gründen Sie sechs Beton-Einzelfundamente. In diese Betonfundamente werden handelsübliche Stützenschuhe eingegossen.

Stellen Sie die Pfosten in die Stützenschuhe, so dass die Aussparungen am oberen Ende nach aussen gerichtet sind.

Die gewünschte Dachneigung kann auf zweierlei Weise erreicht werden:

1. Stützenschuhe werden in unterschiedlichen Höhen in den Beton eingesetzt (s. Abbildung Fig. 2)
2. Die hinteren Pfosten werden wunschgemäss gekürzt

Befestigen Sie die Pfosten mit entsprechenden Bolzen an die Stützenschuhe.

Legen Sie jetzt die Sattelbalken (Teil 2) auf die Pfosten. Prüfen Sie den Überstand vorne und hinten laut der Abbildung Fig. 1 oder bei Leimholzbogen laut Fig. 1 a). Durch die Bohrungen der Pfosten werden dann die Sattelbalken vorgebohrt.

Prüfen Sie vor dem Verschrauben noch einmal die Rechtwinkligkeit!

Verschrauben Sie nun die Sattelbalken mit Hilfe von Bolzen, Muttern und Unterlegscheiben (Pos. 13-15) mit den Pfosten.

Danach werden Dachsparren verlegt. Legen Sie die Sparren (Pos. 3) in gleichen Abständen (s. Abbildung Fig. 3) auf die Sattelbalken. Die Befestigung erfolgt mit den Winkelverbindern (Pos. 19).

Anschliessend werden Wechsel (Pos. 4) montiert (s. Anbringung laut der Abbildungen Fig. 2 und Fig. 3). Die Wechsel werden mit Winkeln (Pos. 20) an die Dachsparren befestigt.

Jetzt sind Querkopfbänder (Pos. 5) anzubringen. Die unteren Enden der Querkopfbänder werden mittels Bolzen und Dichtscheibe (Pos. 16, 17) an die Pfosten und die oberen Enden mittels Schrauben (Pos. 21) an die Wechsel (Pos. 4). befestigt. Verfahren Sie mit den Kopfbändern (Pos. 6 und 7) analog.

Um dem Carport noch zusätzlich Stabilität zu geben, werden nun die Windverbände montiert. Dazu werden 16 mm starke Bretter (Pos. 8) mit 22x1,5 mm Schrauben (Pos. 22) unter die Dachsparren (s. Abbildung Fig. 3) geschraubt.

Als nächstes werden Seitenblenden und Stirnbretter (Pos. 9 und 10) mit 4,5x50mm Schrauben (Pos. 22) an die Sparren geschraubt.

Vor dem Verlegen der Dachbretter ist darauf zu achten, dass das Carport hundertprozentig in Waage steht. Dachbretter (Pos. 11) sind mit 3x70mm Nageln (Pos. 23) an die Dachsparren zu befestigen.

Wenn die Dachbretter verlegt sind, werden Dacheckleisten (Pos. 12) innen angesetzt und vernagelt (Pos. 23).

Zuletzt wird Dacheindeckung (nicht im Lieferumfang enthalten!) angebracht.

I. Généralités



Cher client,

Nous sommes heureux que votre choix se soit porté sur notre carport!

Il est important de lire entièrement cette notice de montage avant de commencer la construction de votre carport! Vous vous éviterez ainsi des problèmes et des pertes de temps inutiles.

Conseils:

- Avant son montage définitif, entreposez le kit de construction au sec et pas directement sur la terre, en le protégeant contre les intempéries (humidité, rayonnement du soleil, etc.). Ne pas conserver la marchandise dans un local chauffé!
- Au moment de choisir l'endroit de montage, veillez à ce que le carport ne soit pas exposée à des conditions atmosphériques extrêmes (zones exposées à des vents forts).



Garantie

Votre carport est réalisée en bois d'épicéa nordique de haute qualité et elle vous est livrée non traitée. Si elle devait donner lieu à des réclamations, malgré les soins apportés à notre contrôle en usine, nous vous demandons de remettre à votre revendeur spécialisé le bon de contrôle rempli et votre facture d'achat!

IMPORTANT: Veuillez impérativement conserver la documentation! Vous trouverez sur le bon de contrôle le numéro de contrôle du carport. La réclamation ne peut être traitée dans le cadre de la garantie que si vous communiquez le numéro de contrôle à votre revendeur spécialisé!

Ecarts qui ne constituent pas un motif de réclamation:

- Le bois est un produit naturel, ce qui fait que les réclamations reposant sur des phénomènes naturels ne tombent pas sous le coup de la garantie.
- Les réclamations concernant les matériaux ne sont pas acceptées si une peinture a déjà été appliquée!
- Nœuds qui sont inhérents au bois.
- Décolorations du bois qui n'exercent pas d'influences sur la durée de vie.
- Fissures / fentes de retrait qui ne sont pas traversantes et qui n'exercent pas d'influences sur la construction.
- Déformations du bois, sous réserve qu'il puisse encore être mis en œuvre.
- Sur les faces non visibles des planches du toit et du plancher, il se peut que les planches ne soient pas rabotées, on peut observer des différences de couleur et des flaches.
- Une réclamation tardive résultant d'un montage incorrectement réalisé, d'un affaissement du carport par suite de fondations et de soubassements incorrectement réalisés, est exclue.

Les recours en garantie se limitent au remplacement du matériel défectueux. Tous les autres recours sont exclus!



Peinture et entretien

Le bois est un produit naturel qui travaille de façon variable. Des caractéristiques telles que les madrures grossières et fines, les nuances de couleurs et les modifications, de même que les imbrications, ont leur origine dans la croissance du bois. Dans le cas de bois qui poussent en pleine nature, ces caractéristiques sont normales et ne doivent par conséquent pas être considérées comme des défauts mais, au contraire, comme une particularité de ce matériau naturel qu'est le bois.

Au bout de quelque temps, le bois non traité (à l'exception des longrines) prendra une teinte grise, il pourra bleuir et moisir. Pour protéger votre carport, il convient que vous le traitiez avec des produits de protection du bois appropriés.

Pour protéger votre carport de façon optimale, nous vous conseillons de traiter préalablement le carport à l'aide d'un apprêt incolore. Ce n'est que de cette façon que l'on empêche l'humidité de pénétrer.

Une fois le montage effectué, nous vous conseillons de revêtir l'extérieur (sans le toit) d'un apprêt. Dès que cet apprêt sera sec, vous devrez revêtir votre carport d'un glacis pour bois qui protégera le bois contre l'humidité et le rayonnement ultraviolet.

Pour la peinture, n'utilisez qu'un outillage et une peinture de haute qualité, et respectez les consignes de sécurité et de mise en œuvre du fabricant de peintures. Ne peignez jamais en plein soleil ou lorsque le temps est à la pluie. Faites-vous conseiller de façon détaillée par votre revendeur spécialisé quant à la protection à utiliser pour les conifères non traités.

En refaisant régulièrement la peinture, vous augmentez sensiblement la durée de vie de votre carport. Nous vous conseillons également une inspection semestrielle de votre carport.

II. Préparation au montage

Outils et préparation des détails

Pour le montage, vous avez besoin du matériel suivant:



une personne pour vous aider au montage



échelle double



marteau



niveau à bulle d'air



tournevis



scie



couteau



mètre-ruban



pince



foret

REMARQUE: Pour éviter les blessures provoquées par d'éventuels éclats de bois, nous vous demandons de porter des gants de protection correspondants lors du montage.

III. Montage

Il est conseillé de mettre l'avant-toit en place avec l'assistance d'au moins deux personnes.

- Avant que vous commenciez la mise en place de l'avant-toit, vérifiez, suivant la nomenclature, que tous les détails sont bien présents.
- Mettez les détails dans l'ordre d'installation.

La chose la plus importante pour la longévité et la sécurité de votre avant-toit est un bon embasement. Seul l'embasement porteur bien aplani et rectangulaire garantit la bonne mise en place de l'avant-toit et sa stabilité. Si l'embasement est d'une haute qualité, la longévité de votre l'avant-toit sera prolongée de plusieurs années. Il est conseillé de faire pour l'avant-toit un jambage. Demandez conseil à des professionnels ou bien laissez-leur préparer un embasement eux-mêmes.

ATTENTION ! Les matériaux nécessaires pour la mise en place d'un embasement (pâte de béton, boulons, équerres) ne sont pas inclus dans l'ensemble de l'avant-toit, vous devez les procurer séparément.

Tout d'abord, mesurez les emplacements des poteaux à l'aide de la figure 1 ou, si c'est le cas de l'arc de bois laminé, à l'aide de la figure 1a. Préparez l'embasement pour les poteaux. Mettez les équerres dans les emplacements des poteaux. On peut obtenir l'inclinaison nécessaire de l'avant-toit des deux manières suivantes :

- a) en mettant les équerres sur les hauteurs différentes (voir figure 2)
- b) en coupant les poteaux de derrière.

Mettez les poteaux en place de façon à diriger en dehors les encoches de l'extrémité supérieure de poteau. Ensuite, fixez les poteaux aux équerres à l'aide des boulons appropriés.

Mettez les poutres en place (Pos. 2). Observez les saillies du devant et du derrière en se référant à la figure 1 ou, si c'est le cas de l'arc de bois laminé, à la figure 1a. Faites passer les poutres à travers le trou qui se trouve dans l'extrémité supérieure du poteau. Veillez à ce que les détails soient bien aplanis et leur position soit rectangulaire. Fixez les poutres aux poteaux à l'aide des boulons, des écrous et des rondelles (Pos.13-15).

Mettez les chevrons en place (Pos. 3). Toutes les distances sont visibles sur la figure 3. Fixez les chevrons à l'aide des équerres (Pos.19).

Ensuite mettez en place les détails d'appui (Pos. 4). La position de ces détails est bien visible sur les figures 2 et 3. Fixez les détails d'appui à l'aide des équerres (Pos.20).

Mettez en place les poutres d'appui (Pos. 5) et fixez leur extrémité inférieure aux poteaux à l'aide des boulons et des rondelles (Pos. 16 et 17) et leur extrémité supérieure à un détail d'appui (Pos. 4) à l'aide des boulons (Pos. 21).

Mettez en place tous les autres poutres (Pos. 6 et 7) d'appui de la façon décrite plus haut.

Pour rendre l'avant-toit encore plus stable, mettez en place les diagonales (Pos. 8). Fixez les diagonales à l'aide des vis (Pos. 22) sur la côté inférieure des chevrons, comme il est indiqué sur la figure 3.

Ensuite, mettez en place les lattes de bordure (Pos. 9 et 10) et fixez-les à l'aide des vis (Pos. 22).

Avant de mettre en place les planches de toit veillez à ce que l'avant-toit soit bien aplani. Fixez les planches de toit (Pos. 11) à l'aide des clous (Pos. 23).

Ensuite, mettez en place les lattes intérieures (Pos. 12) à l'aide des clous (Pos. 23).

La couverture de toit (n'est pas incluse dans l'ensemble !) est mise en place en dernier ressort.

I. In generale



Gentile Cliente,

siamo veramente lieti che Lei abbia scelto la nostra carport!

E' importante leggere accuratamente le istruzioni prima di iniziare con il montaggio della carport! In tal modo eviterà qualsiasi problema e perdita di tempo.

Consigli:

- Conservare il kit in luogo asciutto e non direttamente sul pavimento, protetto da agenti atmosferici (acqua, sole ecc.) fino al montaggio definitivo. Non conservare il prodotto in ambienti riscaldati !
- Nella scelta del luogo di collocamento, fare attenzione che la carport non sia esposta a condizioni atmosferiche estreme (vento forte).



Garanzia

La vostra carport è stata realizzata con pregiato legno di abete rosso nordico e viene consegnata in stato non trattato. Qualora, nonostante il nostro accurato controllo in fabbrica, dovessero sorgere reclami, sarà necessario presentare al negoziante il certificato di controllo compilato insieme alla fattura d'acquisto!

IMPORTANTE: E' assolutamente necessario conservare la documentazione! Sul certificato di controllo è riportato il numero di controllo della carport. Reclami possono essere evasi in garanzia unicamente se comunicherete il numero di controllo al vostro negoziante!

Divergenze che escludono motivo di reclamo:

- Il legno è un prodotto naturale e pertanto le contestazioni relative allo stato naturale non rientrano nella garanzia.
- Reclami relativi al materiale non vengono accettati una volta verniciato!
- Rami cresciuti nel legno.
- Scolorimenti del legno che non influiscono sulla durata.
- Crepe /fessure non passanti che non compromettono la costruzione.
- Nodi nel legno a condizioni che possa ancora essere lavorato.
- Nei punti invisibili del tavolame tetto e pavimento sono ammesse tavole non piallate; sono inoltre ammesse differenze di colore e spigoli dell'albero.
- Reclami successivi dovuti a montaggio non conforme, cedimento della carport a causa di fondamenta errate sono esclusi.

Le rivendicazioni di garanzia sono limitate alla sostituzione del materiale difettoso. Ogni altra rivendicazione è esclusa!



Verniciatura e cura

Il legno è un prodotto naturale e si muove in modo diverso. Caratteristiche quali venature grosse e fini, sfumature di colore e cambiamenti nonché nodi sono dovuti alla crescita dell'albero. Sono del tutto normali nei legni che crescono all'aperto, e pertanto non sono da considerare difetti ma piuttosto una caratteristica del legno naturale.

Il legno non trattato (ad eccezione dei travetti) diventa grigio col tempo, può scolorirsi e fare la muffa. Per proteggere la vostra casetta di legno, è consigliabile trattarla con opportuni preservanti per legno.

Per proteggere al meglio la vostra carport, consigliamo di trattare le carport preventivamente con un colore di fondo neutro.

Dopo il montaggio, consigliamo di applicare uno strato di fondo sulla pelle esterna (senza tetto), non appena il medesimo si sarà asciugato, verniciare la carport con una velatura per legno per proteggere il legno dall'umidità e dalle radiazioni UV.

Per la verniciatura, usare attrezzi e vernici di qualità e rispettare le istruzioni di sicurezza e applicazione del produttore della vernice. Non verniciare in pieno sole o in caso di pioggia. Farsi consigliare dettagliatamente dal venditore sulla protezione di legni di conifera non trattati.

Con una regolare verniciatura aumenterete notevolmente la durata della vostra carport. Consigliamo un'ispezione semestrale della carport.

II. Preparazione al montaggio

Attrezzi e preparazione dei particolari

Attrezzi occorrenti:



aiutante



scala doppia



martello



livella a bolla d'aria



cacciavite



sega



coltello



metro



pinza



trapano

AVVERTENZA: Per evitare lesioni causate da eventuali schegge di legno, portare guanti di protezione durante il montaggio.

III. Montaggio

Consigliamo di installare il carport da almeno due persone.

- E' importante controllare dalle specifiche che tutti i componenti siano presenti prima di avviare l'installazione del carport.
- Sistemare i componenti secondo l'ordine di installazione,

Una buona base è l'aspetto più importante per assicurare la durata e sicurezza del carport. Solo una base regolare, rettangolare salda può garantire un'installazione corretta del carport e stabilità. Con una buona base il carport dura più a lungo. Consigliamo un punto base per il carport. Chiedere aiuto ad uno specialista o fare preparare la base da un professionista.

NB! I materiali necessari alla base (misto cemento, bracci supporto trave, bulloni) non sono inclusi nel kit e devono essere acquistati separatamente.

Prima posizionare i punti secondo la Fig. 1 o Fig. 1a in caso di arco laminato. Preparare le basi per i punti. Porre il supporto della trave in posizione dei punti. Ci sono due opzioni per ottenere l'inclinazione necessaria per il carport:

- a) Posizionando i bracci di supporto a diverse altezze (vedere Fig. 2)
- b) Tagliando i punti dietro più corti

Porre i punti in modo che i tagli in alto si rivolgano verso l'esterno. Poi fissare i punti con bulloni nei bracci di supporto della trave.

Posizionare le travi (Pos. 2). Controllare davanti e dietro secondo la Fig. 1 o secondo la Fig. 1a in caso di arco laminato. Trapanare le travi nelle aperture all'estremità della trave. Controllare che i componenti siano rettangolari. Fissare le travi a punto con bullone, rondella, o dado (Pos. 13-15).

Posizionare le travi (Pos. 3). Vedere le distanze dalla fig. 3. Fissare le travi con quadri (Pos. 19).

Poi installare i componenti di supporto (Pos. 4). Vedere la posizione dei componenti dalla Fig. 2 e Fig. 3. Fissare i quadrati (Pos. 20).

Posizionare i piedi (Pos. 5) e assicurarli ai punti all'estremità in basso usando un bullone e una rondella (Pos. 16 e 17) e al componente supporto (Pos. 4) all'estremità finale usando le viti (Pos. 21).

Installare il resto dei piedi (Pos. 6 e 7) ripetendo la procedura con il componente Nr. 5.

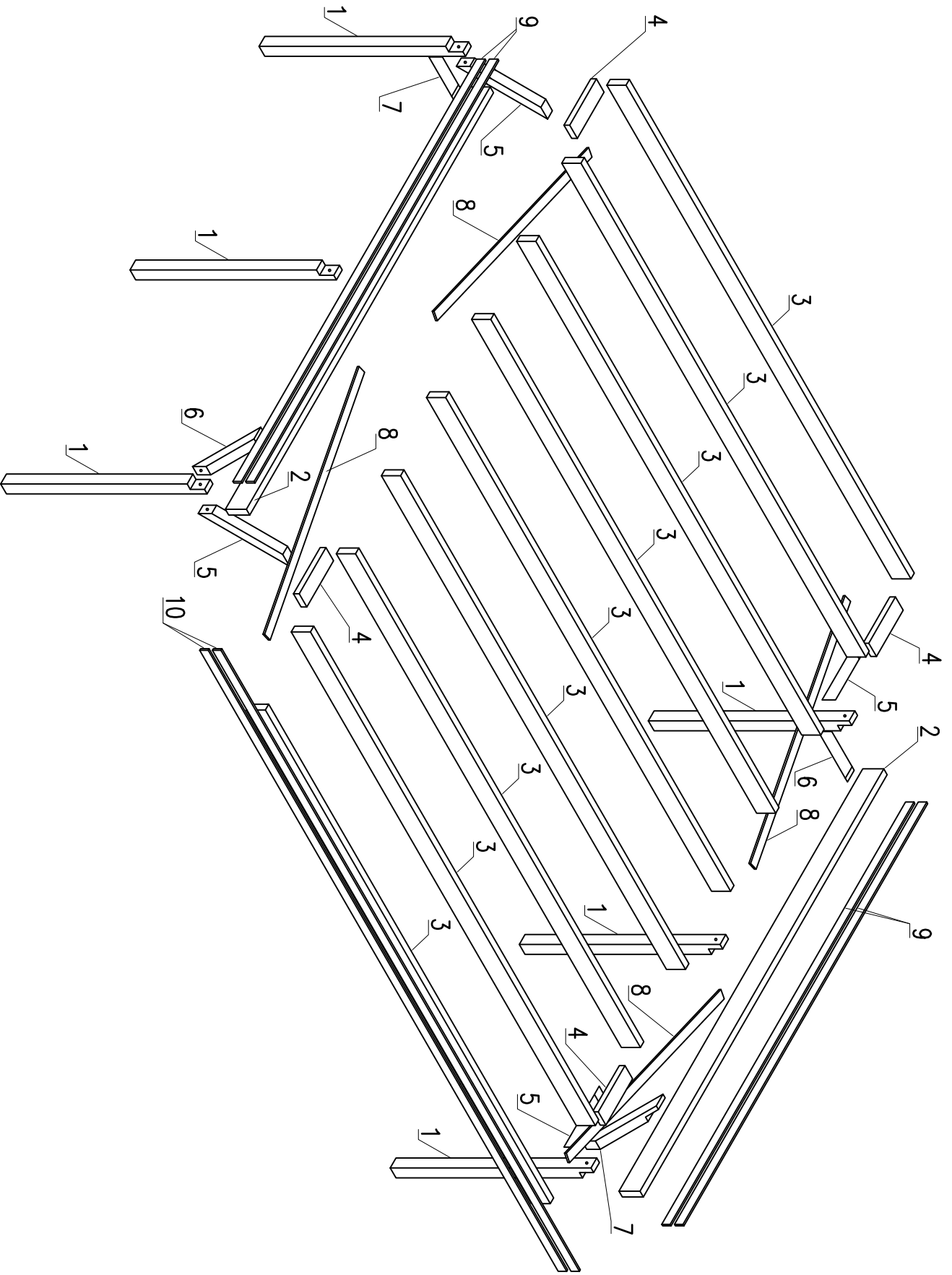
Poi, fissare le diagonali (Pos. 8) per rendere il carport più stabile. Le diagonali dovrebbero essere avvitate con viti (Pos. 22) al lato sotto delle travi secondo Fig. 3.

Poi installare le strisce (Pos. 9 a 10) e fissare le viti (Pos. 22)

Controllare prima di installare le travi del carport che siano a livello. Le travi del carport (Pos. 11) dovrebbero essere strette (Pos. 23).

Poi fissare le strisce ad angolo interne (Pos. 12) con strisce (Pos. 23).

Ed in fine, il materiale del tetto deve essere installato (non incluso!).



CP6051 SPECIFIKATION-STÜCKLISTE-NOMENCLATURE-ELEMENTI

Pos Nr.	Bezeichnung/Name	Section		Länge/Lenght [mm]	Menge/ Amount Stk./Pcs.
		Höhe/Height [mm]	Breite/Width [mm]		
1	Post-Pfosten-Poteau-Punto	120	120	2100	6
2	Beam-Sattelbalken-Poutre-Trave	195	70	5100	2
3	Rafter-Dachsparren-Chevron-Trave del tetto	195	70	5962	9
4	Support component-Wechsel- Dettagli d'appui-Componenti di supporto	60	160	560	4
5	Brace-Querkopfband-Poute d'appui-Piedi	90	90	900	4
6	Brace-Kopfband-Poute d'appui-Piedi	90	90	800	2
7	Brace-Kopfband-Poute d'appui-Piedi	90	90	800	2
8	Diagonal-Windverband-Diagonal-Diagonal	16	95	2680	4
9	Fascia board-Seitenblende-Latte de bordure-Schermo frontone	140	19	5100	4
10	Fascia board-Stirnbrett-Latte de bordure-Schermo frontone	140	19	6000	2
11.1	Roof board-Dachbrett-Planche du toit-Tavola tetto	19	89	3180	67
11.2	Roof board-Dachbrett-Planche du toit-Tavola tetto	19	89	1950	67
12	Roof slat-Dachdeckleiste-Latte-Strisce	32	32	3000	6
ZUBEHÖR- FIXING MATERIAL-KIT D'ASSEMBLÉE-CORREDO DELL' ASSEMBLEA					
13	Bolt-Bolzen-Boulon-Bullone	M12x140		(Pos. 1 to 2)	6
14	Nut-Schraubennutter-Ecrou-Dado	M12		(Pos. 1 to 2)	6
15	Washer-Dichtscheibe-Rondelle-Rondella	Ø13/37x3		(Pos. 1 to 2)	6
16	Hex head wood schrew-Sechskant-Holzschraube-Vis-Vite	10x140	W1192-10140	(Pos. 5-7 to 1)	8
17	Washer-Dichtscheibe-Rondelle-Rondella	Ø10,5/30x2,5	W0416-10	(Pos. 5-7 to 1)	8
18	Nail-Nagel-Clou-Chiodo	Ø4x40	EM72801	(Winkel/Squares)	344
19	Square-Winkel-Equerre	70x70x55	EM71304	(Pos. 3 to 2)	18
20	Square-Winkel-Equerre	40x40x40	EM71404	(Pos. 4 to 3)	16
21	Screw-Schraube-Vis-Vite	6x90		(Pos. 6-7 to 2;Pos. 5 to 4)	16
22	Screw-Schraube-Vis-Vite	4,5x50		(Pos. 9;10)	80
23	Nail-Nagel-Clou-Chiodo	3x70		(Pos. 11;12)	720
24	Hole plug-Abdeckkappe-Cache-vis-Tappi in legno-Embellecedor	Ø30			8

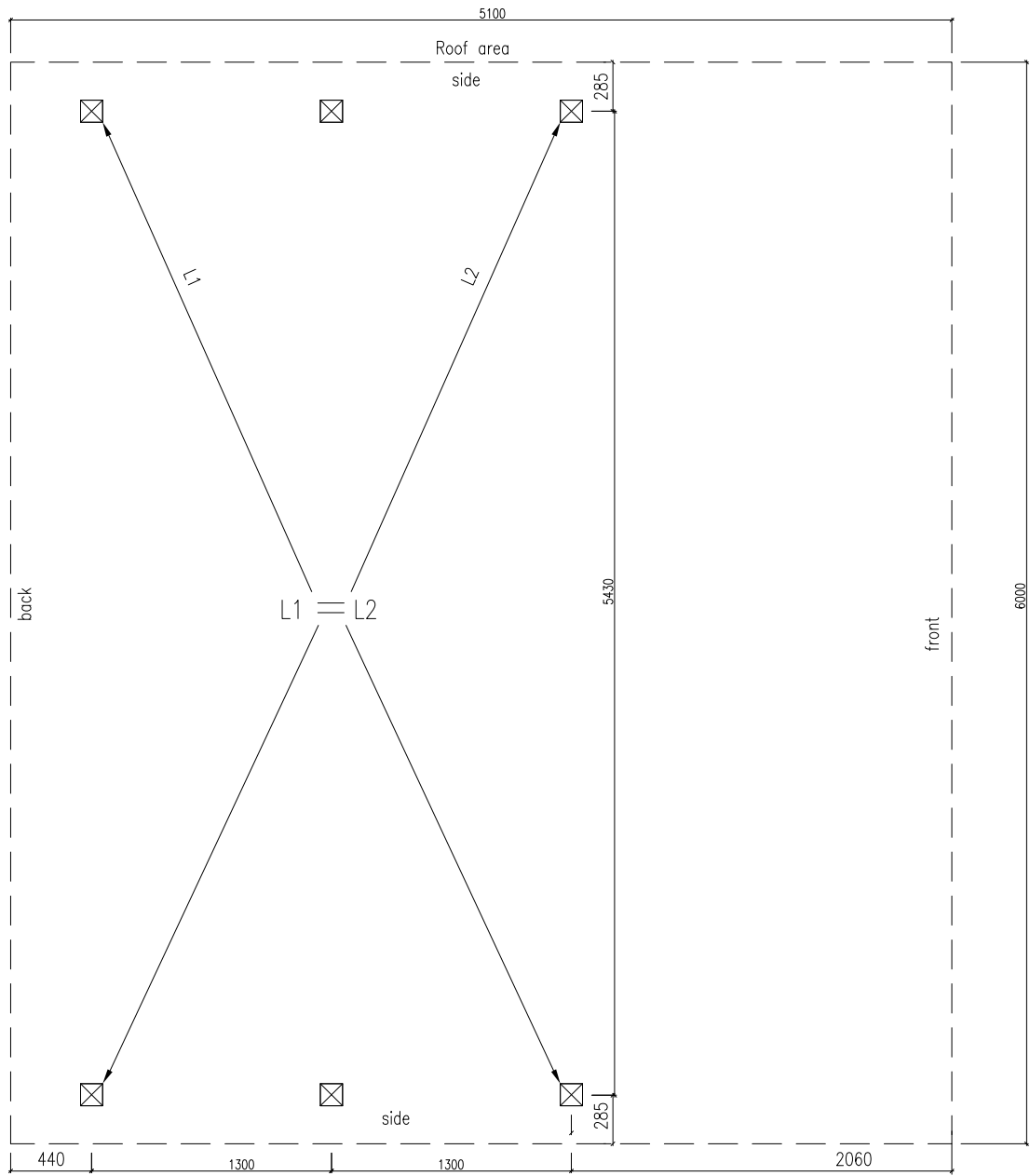


Fig. 1a

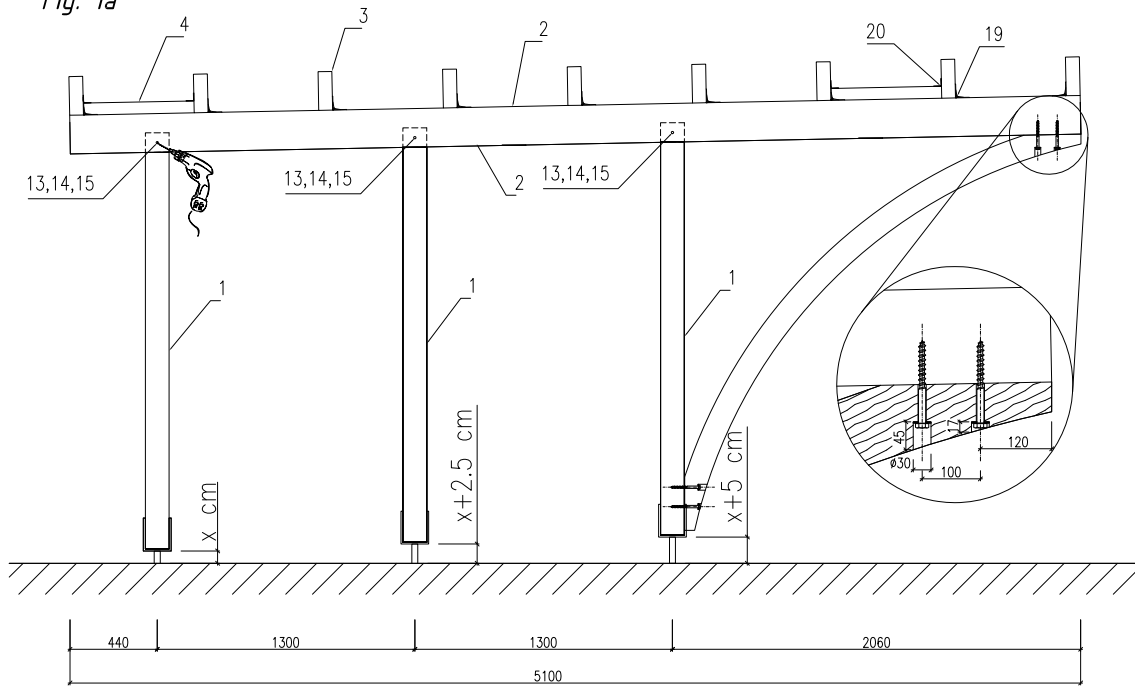


Fig. 2a

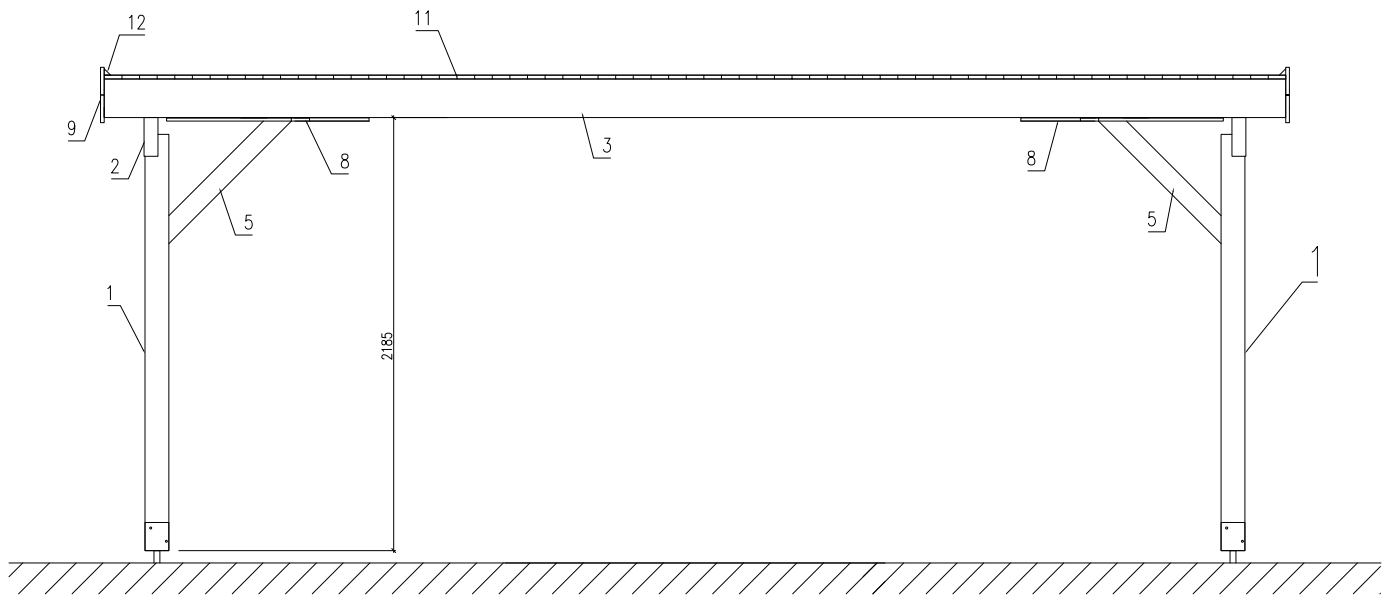


Fig. 3

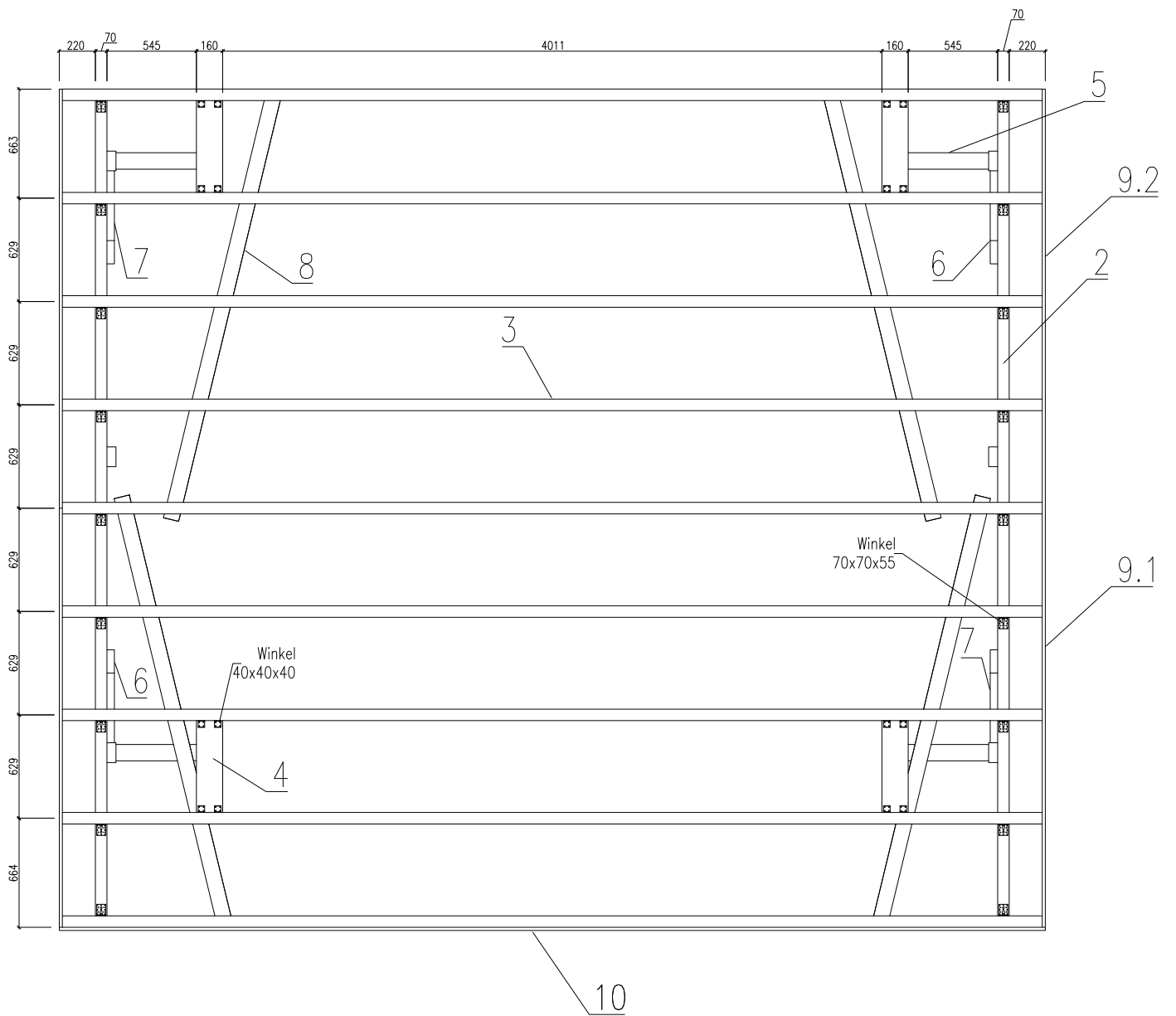


Fig. 4