

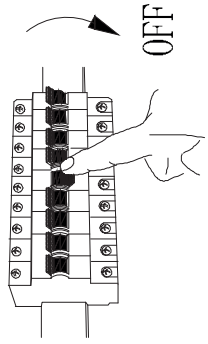
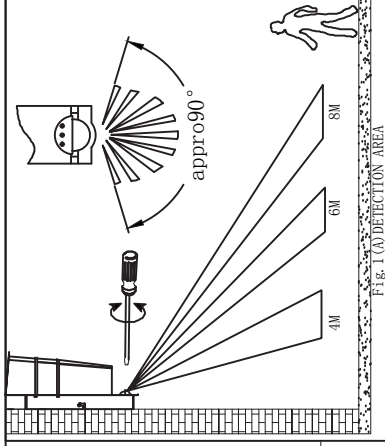
**A****B**

FIG. 1 (A) DETECTION AREA

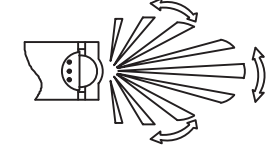


Fig. 1 (B) GOOD

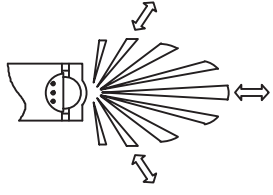
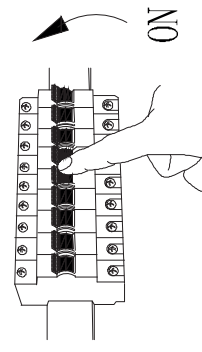
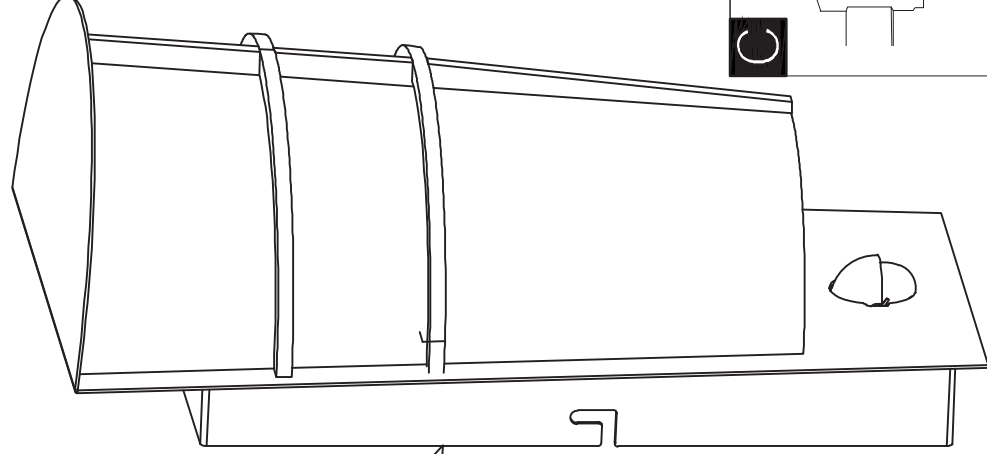
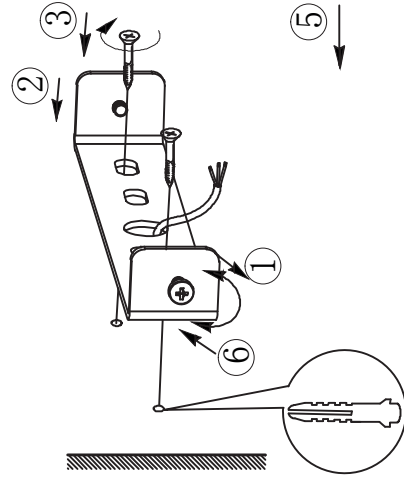
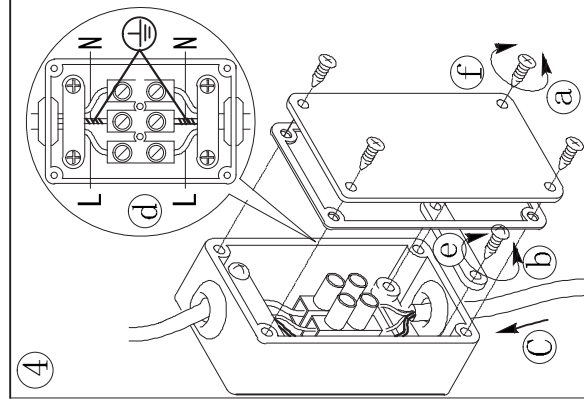
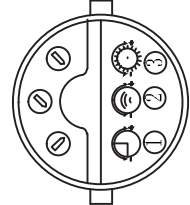
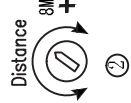
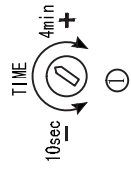
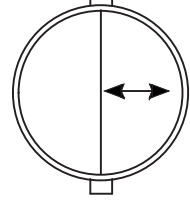


Fig. (C) NOT GOOD



BLA96017

www.eglo.com