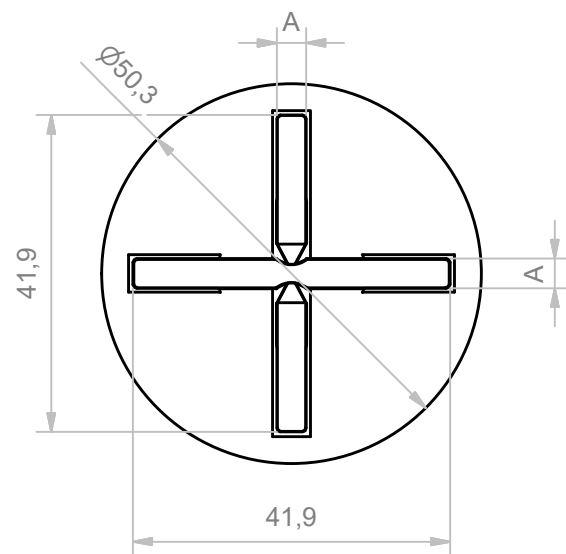
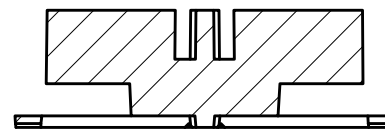


A-A (1:1)



VERSION	A
2	2 mm
3	3 mm
4	4 mm

RESERVED PROPERTY: The present drawing cannot be reproduced or communicated to 3d parties, even partially, without the authorization of ETERNOIVICA Srl. Eternoivica reserves to protect its own rights according to the law.				5	4	3	2	1
GENERAL TOLERANCE	UNI EN 22768/1 Media (m)	DRAWN BY	Dated:	Checked:	Revision description			
SHEET NR.	Dimension in mm	Manual modification are not allowed	Rigato N.	Dalla Montà D.	Scale: 1 : 1			
1 / 1			Date: 11/04/2016	Replace nr.	Part number:			
		Denomination: SUPPORTO MINI SM SENZA PERNO SUPPORT MINI SM WITHOUT PIVOT						
		ETERNO IVICA S.R.L. VIA AUSTRIA 25/E 35127 PADOVA - ITALY www.eternoivica.com			Drawing nr. E-06622-00			