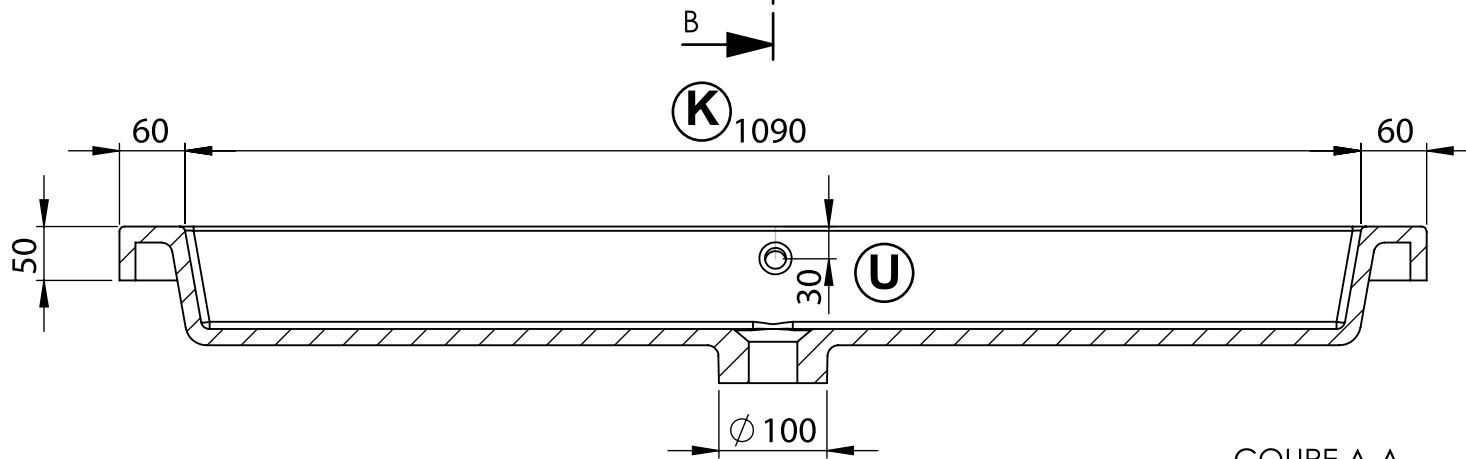


COUPE B-B



COUPE A-A

Patented and Registered Design

824868

Revision A1