

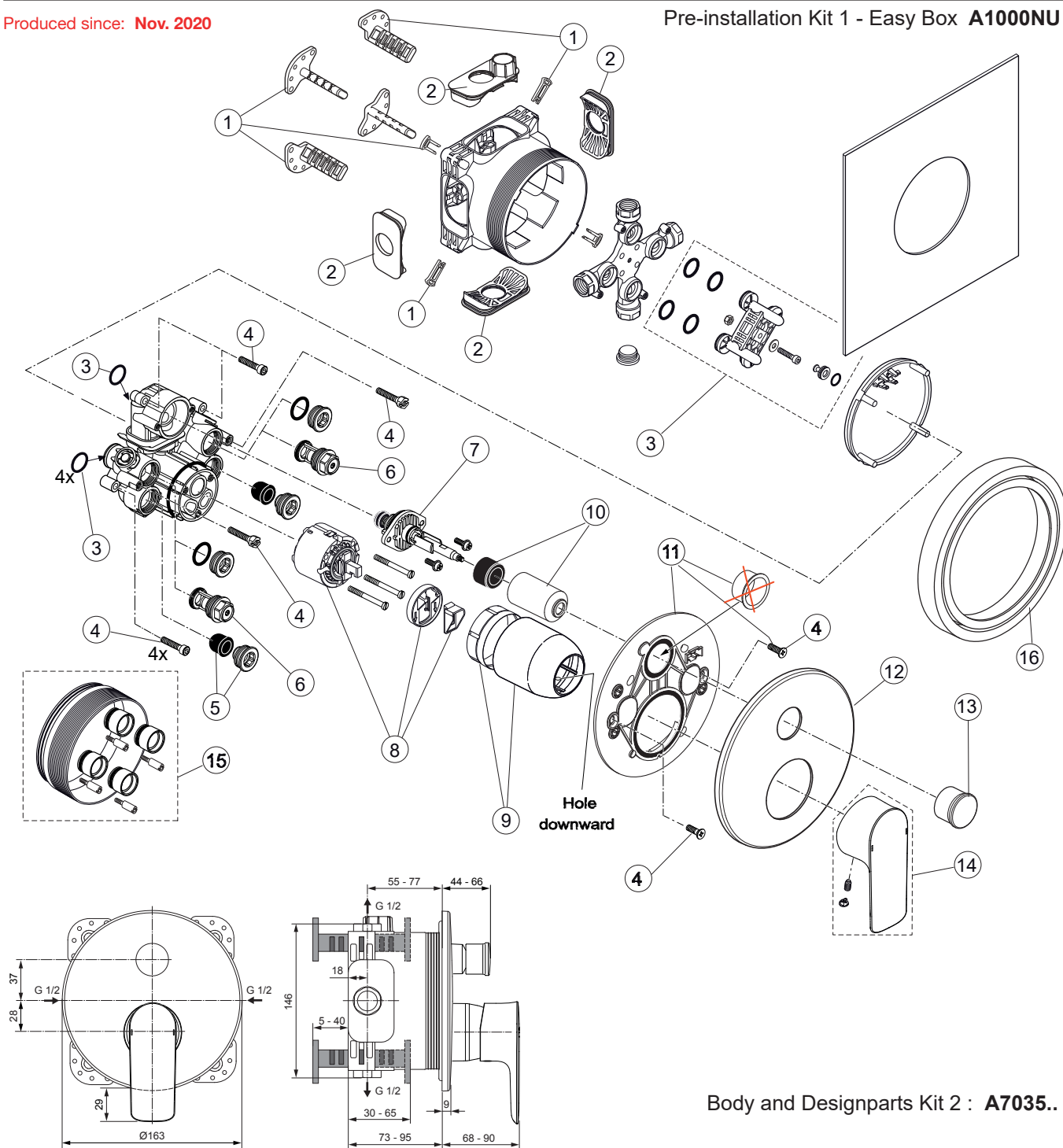


# Connect Air A7035..

Ideal Standard

Produced since: **Nov. 2020**

Pre-installation Kit 1 - Easy Box **A1000NU**



Body and Designparts Kit 2 : **A7035..**

**Replace XX with the appropriate finish code**

Chrome = AA Silver Storm = GN Gold = A2 Magnetic Grey = A5

**Example spare part order:**

**A 960 893 AA** in Chrome

Pos.	Description	Part-Number	Qty.	Pos.	Description	Part-Number	Qty.
1	Install. depth adjust.	<b>A 963 131 NU</b>	1 Set	12	Escutcheon B/S w. Logo	<b>A 861 409 XX</b>	1 pcs
2	Side sealing	<b>A 963 132 NU</b>	1 Set	13	Pull knob	<b>A 860 901 XX</b>	1 pcs
3	Flushing device cpl.	<b>A 963 146 NU</b>	1 Set	14	Lever cpl.	<b>A 861 408 XX</b>	1 Set
4	Screw set complete	<b>A 960 890 NU*</b>	1 Set	15	Extension kit 20mm	<b>A 960 704 NU</b>	1 Set
5	Low noise insert	<b>A 960 891 NU</b>	1 pcs	16	Extension kit 40mm	<b>A 962 476 NU</b>	1 Set
6	Stop valve	<b>A 960 706 NU</b>	2 pcs		Distanzframe 20mm	<b>A 6677 XX</b>	1 Set
7	Diverter complete	<b>A 963 443 NU</b>	1 pcs				
8	Cartridge with ECO-kit	<b>A 960 500 NU</b>	1 Set				
9	Cover + clamping + O-ring	<b>A 960 893 XX</b>	1 Set				
10	Cover / Cap for diverter	<b>A 860 902 XX</b>	1 pcs				
11	Escutcheon holder cpl.	<b>A 860 897 NU</b>	1 Set				

*\*Universal set (not all parts needed)*

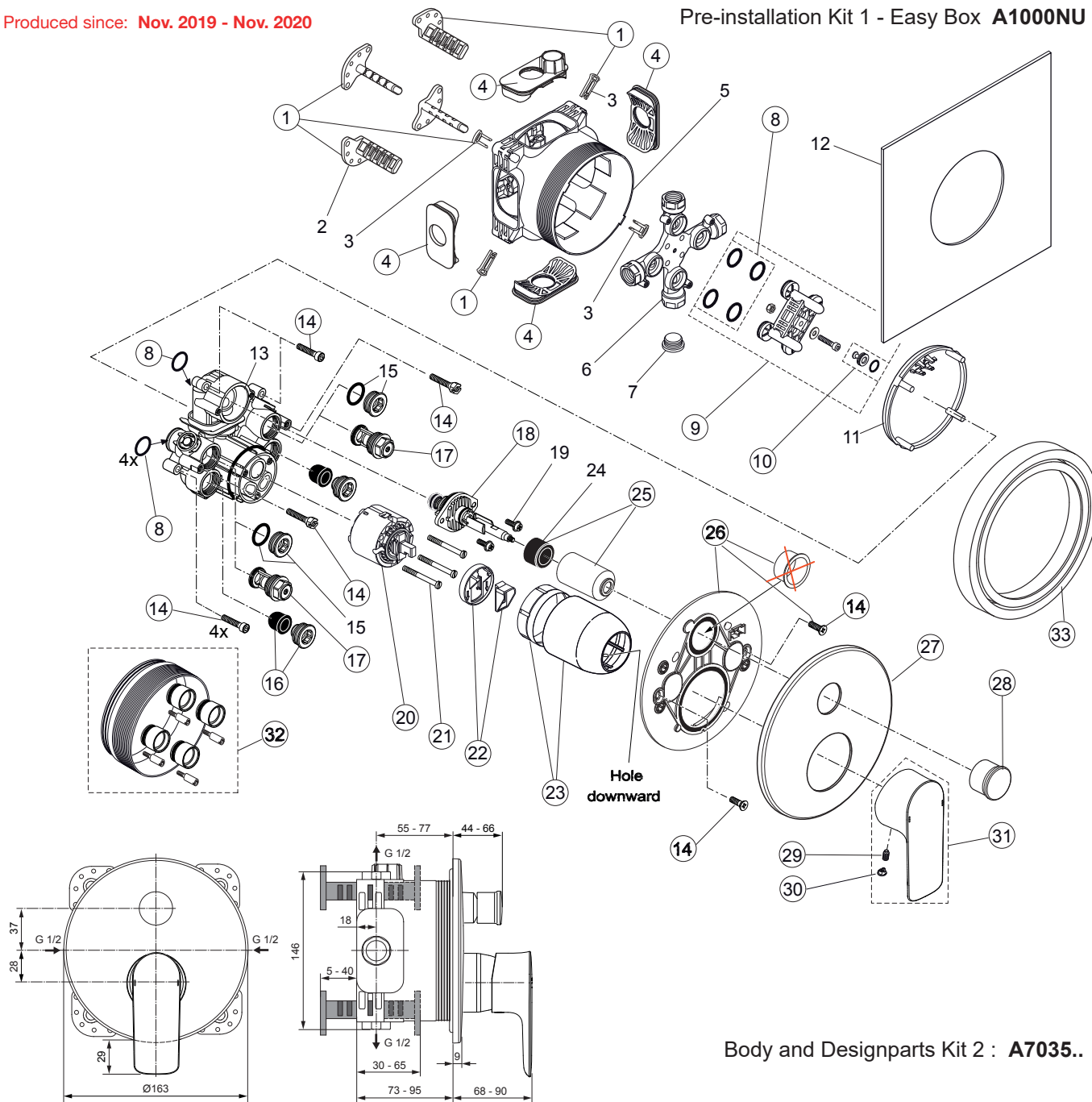


# Connect Air A7035..

Ideal Standard

Produced since: Nov. 2019 - Nov. 2020

Pre-installation Kit 1 - Easy Box **A1000NU**



Body and Designparts Kit 2 : **A7035..**

Replace XX with the appropriate finish code

Chrome = AA Silver Storm = GN Gold = A2 Magnetic Grey = A5

Example spare part order:

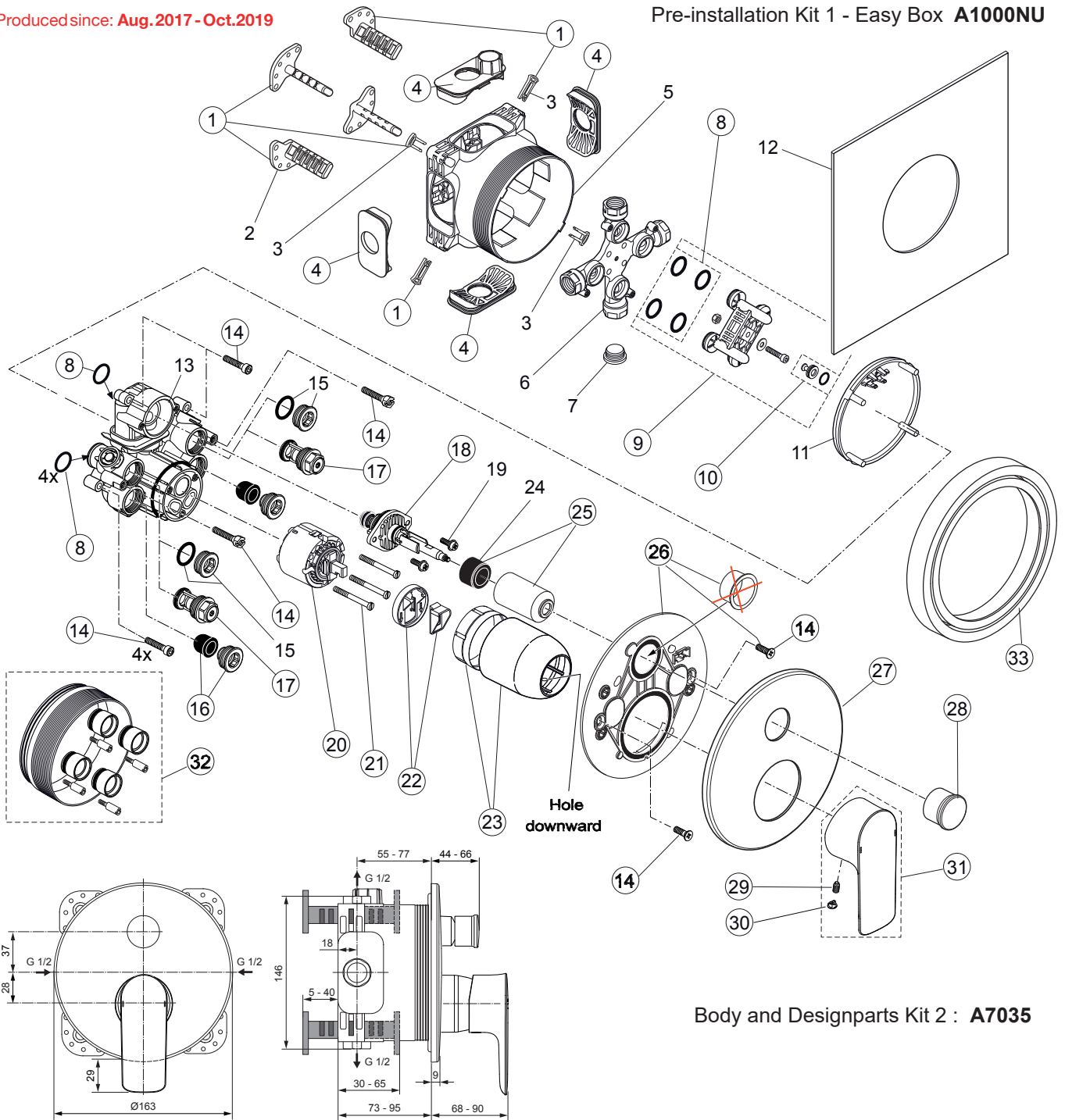
**A 960 893 AA** in Chrome

Pos.	Description	Part-Number	Qty.	Pos.	Description	Part-Number	Qty.
1	Install. depth adjust. + pos.3	<b>A 963 131 NU</b>	1 Set	19	Screw M4x12		
2	Depth adjustment device			20	Cartridge with pos.22	<b>A 960 500 NU</b>	1 Set
3	Adjustment lock ( contained in pos. 1 )			21	Cylindrical screw M4x41,7	<b>A 963 335 NU</b>	3 pcs
4	Side sealing	<b>A 963 132 NU</b>	1 Set	22	ECO-kit	<b>A 860 700 NU</b>	1 Set
5	Built-in box			23	Cover + clamping + O-ring	<b>A 960 893 XX</b>	1 Set
6	Multi-way body			24	Adapter rubber		
7	Plug G1/2			25	Cover / Cap for diverter	<b>A 860 902 XX</b>	1 pcs
8	O-ring Ø 17 x 2,5	<b>A 963 143 NU</b>	1 Set	26	Escutcheon holder cpl.	<b>A 860 897 NU</b>	1 Set
9	Flushing device cpl.	<b>A 963 146 NU</b>	1 Set	27	Escutcheon B/S w. Logo	<b>A 861 409 XX</b>	1 pcs
10	Plug with o-ring Ø 12x1,5	<b>A 963 147 NU</b>	1 Set	28	Pull knob	<b>A 860 901 XX</b>	1 pcs
11	Cover for built-in box			29	Thread pin M5x10 DIN915	<b>A 963 309 NU</b>	1 pcs
12	Sealing fleece			30	Cap for handle	<b>A 861 406 NU*</b>	1 Set
13	Body Single lever			31	Lever cpl.	<b>A 861 408 XX</b>	1 Set
14	Screw set complete	<b>A 960 890 NU*</b>	1 Set	32	Extension kit 20mm	<b>A 960 704 NU</b>	1 Set
15	Plug with o-ring				Extension kit 40mm	<b>A 962 476 NU</b>	1 Set
16	Low noise insert	<b>A 960 891 NU</b>	1 pcs	33	Distanzframe 20mm	<b>A 6677 XX</b>	1 Set
17	Stop valve	<b>A 960 706 NU</b>	2 pcs				
18	Diverter complete	<b>A 963 443 NU</b>	1 pcs				

\*Universal set (not all parts needed)

Produced since: **Aug.2017 - Oct.2019**

Pre-installation Kit 1 - Easy Box **A1000NU**



Body and Designparts Kit 2 : **A7035**

Pos.	Description	Part-Number	Qty.	Pos.	Description	Part-Number	Qty.
1	Install. depth adjust. + pos.3	<b>A 963 131 NU</b>	1 Set	19	Screw M4x12		
2	Depth adjustment device			20	Cartridge with pos.22	<b>A 960 500 NU</b>	1 Set
3	Adjustment lock ( contained in pos. 1 )			21	Cylindrical screw M4x41,7	<b>A 963 335 NU</b>	3 pcs
4	Side sealing	<b>A 963 132 NU</b>	1 Set	22	ECO-kit	<b>A 860 700 NU</b>	1 Set
5	Built-in box			23	Cover + clamping + O-ring	<b>A 960 893 AA</b>	1 Set
6	Multi-way body			24	Adapter rubber		
7	Plug G1/2			25	Cover / Cap for diverter	<b>A 860 902 AA</b>	1 pcs
8	O-ring Ø 17 x 2,5	<b>A 963 143 NU</b>	1 Set	26	Escutcheon holder cpl.	<b>A 860 897 NU</b>	1 Set
9	Flushing device cpl.	<b>A 963 146 NU</b>	1 Set	27	Escutcheon B/S	<b>A 860 945 AA</b>	1 pcs
10	Plug with o-ring Ø 12x1,5	<b>A 963 147 NU</b>	1 Set	28	Pull knob	<b>A 860 901 AA</b>	1 pcs
11	Cover for built-in box			29	Thread pin M5x10 DIN915	<b>A 963 309 NU</b>	1 pcs
12	Sealing fleece			30	Cap for handle	<b>B 960 473 AA</b>	1 pcs
13	Body Single lever			31	Lever cpl. w. Logo ISI	<b>A 861 236 AA</b>	1 Set
14	Screw set complete	<b>A 960 890 NU*</b>	1 Set	32	Extension kit 20mm	<b>A 960 704 NU</b>	1 Set
15	Plug with o-ring				Extension kit 40mm	<b>A 962 476 NU</b>	1 Set
16	Low noise insert	<b>A 960 891 NU</b>	1 pcs	33	Distanzframe 20mm	<b>A 6677 AA</b>	1 Set
17	Stop valve	<b>A 960 706 NU</b>	2 pcs				
18	Diverter complete	<b>A 963 443 NU</b>	1 pcs				

\*Universal set (not all parts needed)