
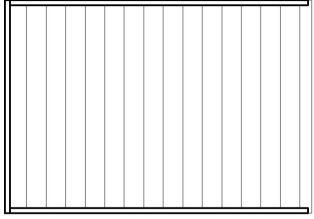
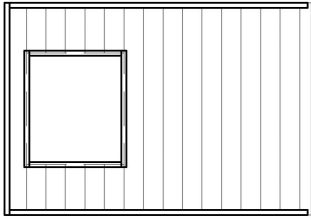

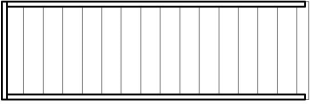
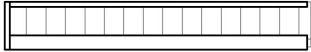
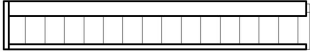

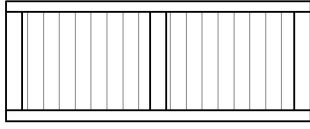
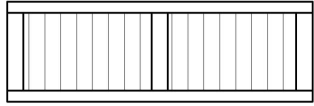
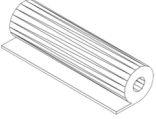
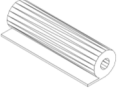

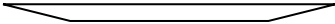







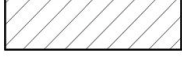


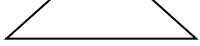
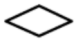



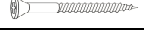
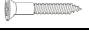


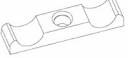
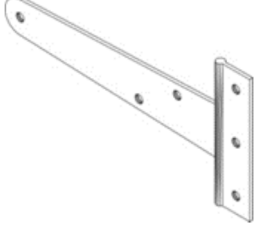
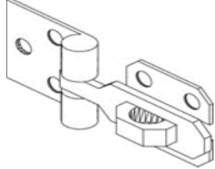
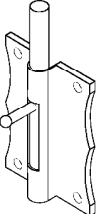

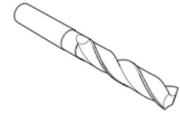
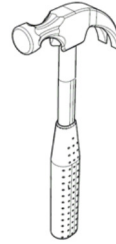
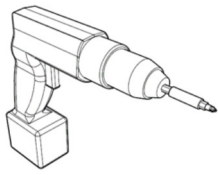


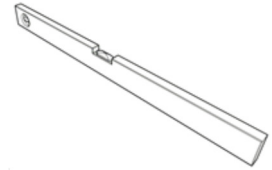
ID	Details in mm (Tolerance/Toleranz ...+ 2mm)	Pcs.	ID	Details in mm (Tolerance/Toleranz ...+ 2mm)	Pcs.
<b>918</b>	16 x 1174 x 1770  MFP	x 2	<b>283</b>	47 x 1174 x 1703 	x 4
<b>284</b>	47 x 1174 x 1703 	x 1	<b>516</b>	12 x 830 x 1150  MFP	x 6
<b>285</b>	47 x 540 x 1703 	x 1	<b>286</b>	47 x 265 x 1703 	x 1
<b>287</b>	47 x 265 x 1703 	x 1	<b>288</b>	47 x 524 x 1770 	x 2
<b>289</b>	30 x 665 x 1690 	x 1	<b>290</b>	30 x 545 x 1690 	x 1
<b>540</b>	1 x 1000 x 2600 	x 2	<b>526</b>	1 x 500 x 2600 	x 1
<b>922</b>	28 x 28 x 1770 	x 6	<b>807</b>	28 x 28 x 1021  	x 8
<b>803</b>	28 x 28 x 945 	x 2	<b>814</b>	28 x 28 x 1184 	x 1
<b>817</b>	28 x 28 x 1245 	x 4	<b>738</b>	17,5 x 45 x 1680 	x 4

ID	Details in mm (Tolerance/Toleranz ...+ 2mm)	Pcs.	ID	Details in mm (Tolerance/Toleranz ...+ 2mm)	Pcs.
<b>623</b>	12 x 70 x 1680 	x 11	<b>614</b>	12 x 70 x 1165 	x 4
<b>572</b>	12 x 42 x 670 	x 2	<b>570</b>	12 x 42 x 505 	x 2
<b>703</b>	15 x 15 x 529 	x 2	<b>630</b>	12 x 90 x 450 	x 4
<b>628</b>	12 x 90 x 201 	x 2	<b>557</b>	3 x 530 x 610 	x 1
<b>1505</b>	Ø4,5 x 50 	x 78	<b>1506</b>	Ø3,5 x 35 	x 197
<b>1507</b>	Ø3,5 x 30 	x 50	<b>1508</b>	Ø4 x 25 	x 10
<b>1512</b>	Ø1,4 x 25 	x 9	<b>1513</b>	Ø3 x 10 	x160
			<b>1556</b>		x 2
<b>1516</b>		x 6	<b>1518</b>		x 1
<b>1517</b>		x 2	<b>1553</b>		x 1



Ø 4 mm

Ø 8 mm



1.

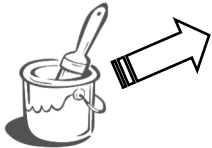
50 mm x 6 St



4 mm



922



2.

35 mm x 18 St

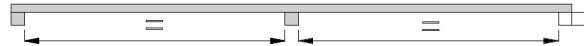


922



918

2.1



3.

35 mm x 18 St

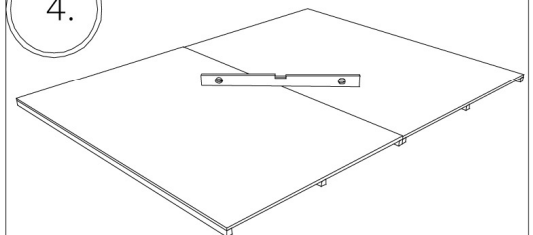


918

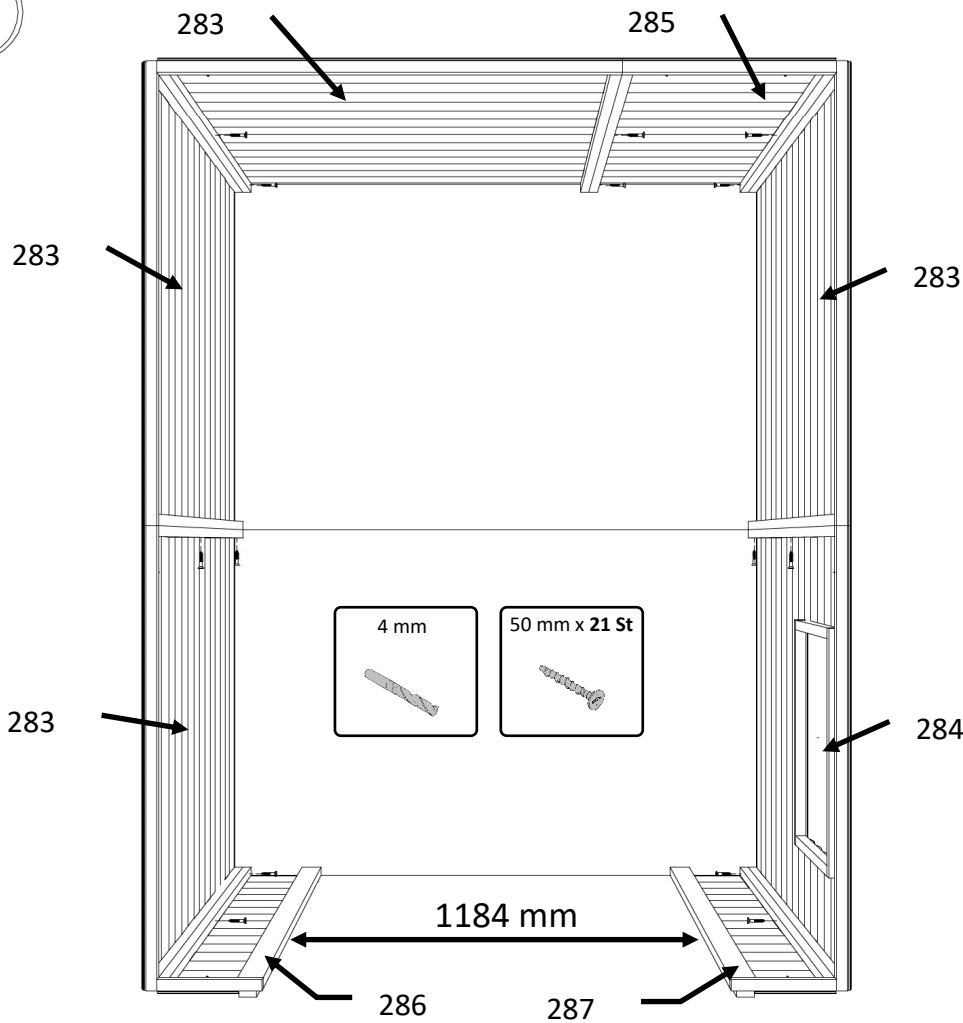
922



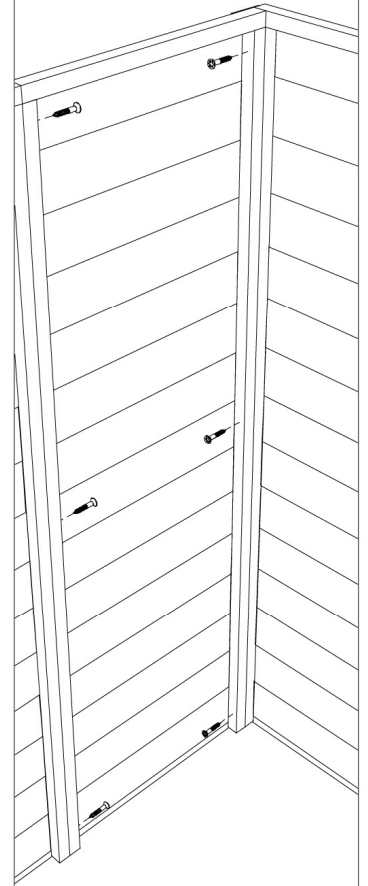
4.



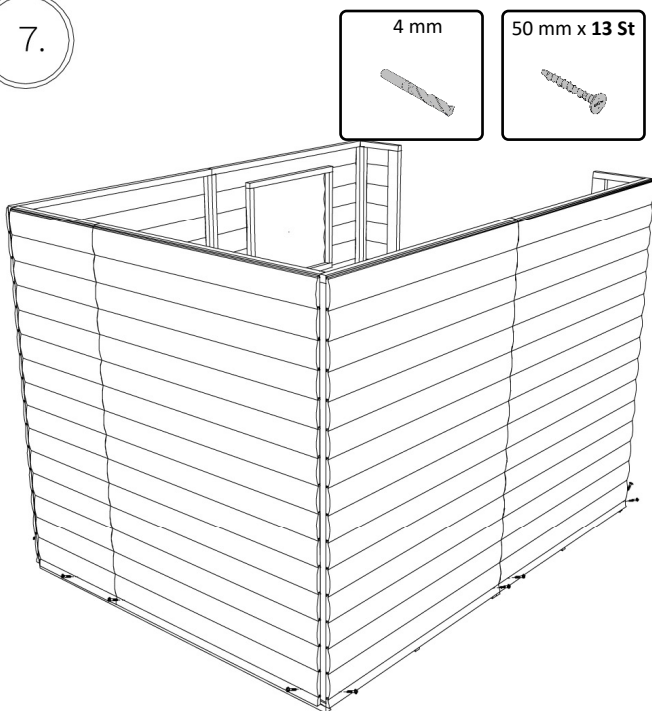
5.



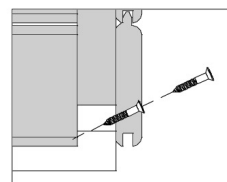
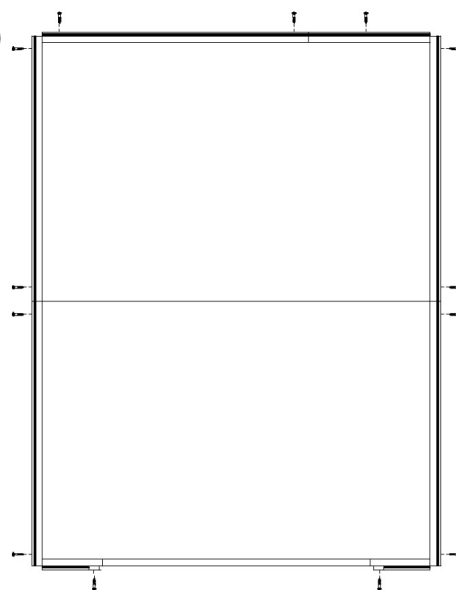
6.



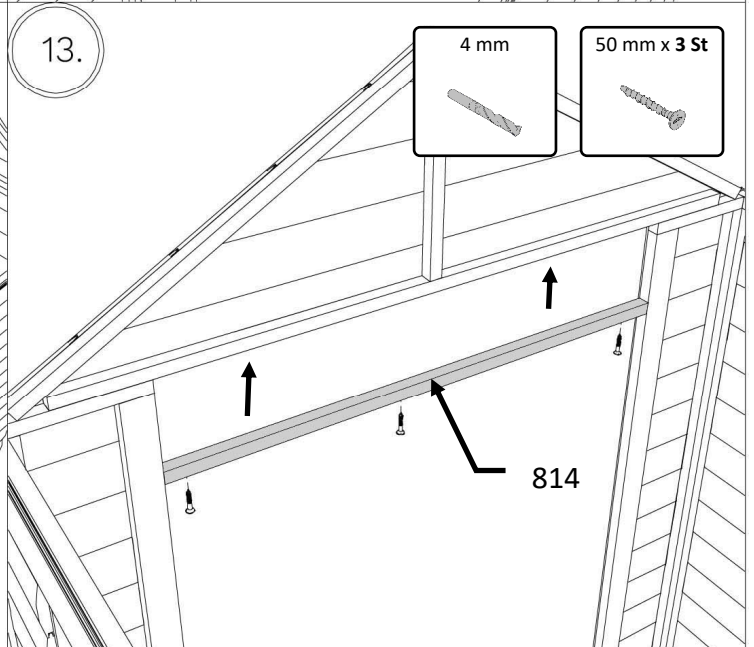
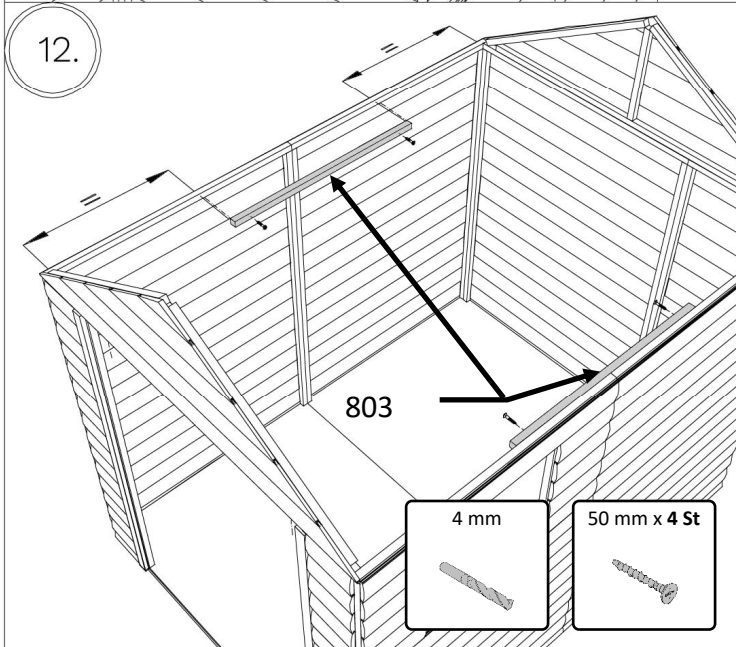
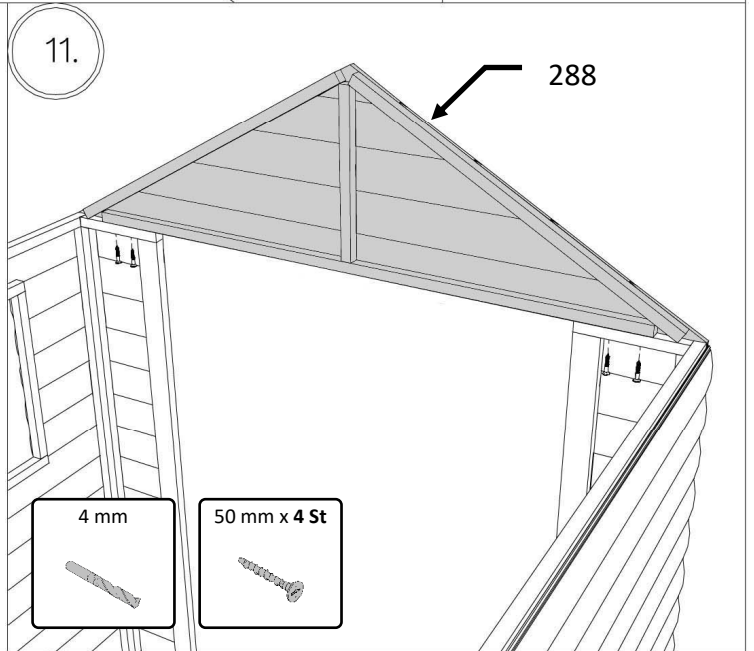
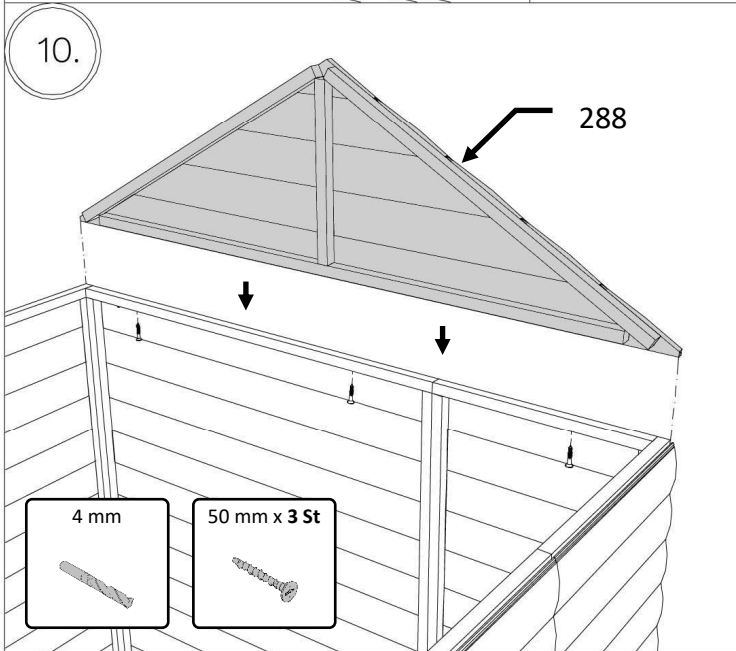
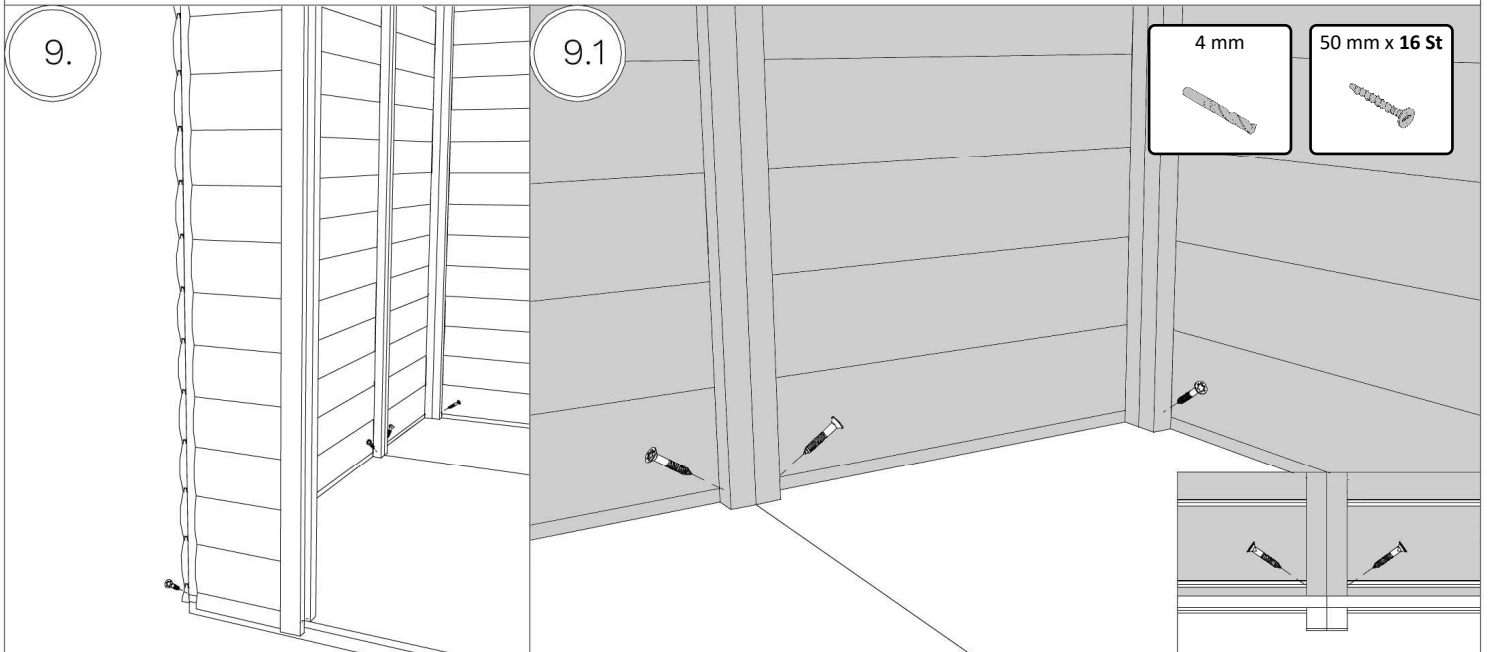
7.



8.







14. NB!

35 mm x 8 St

2x

516

807

15.

2x

35 mm x 4 St

516

807

16.

516

807

35 mm x 4 St

2x

17.

4 mm

516

807

2x

50 mm x 4 St

18.

35 mm x 10 St

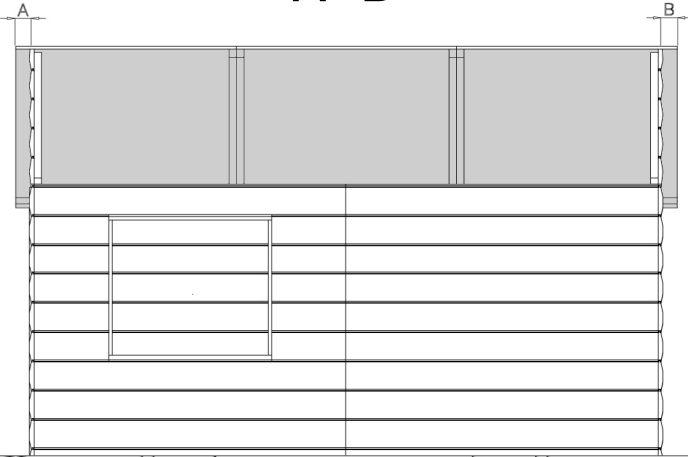
2x

817

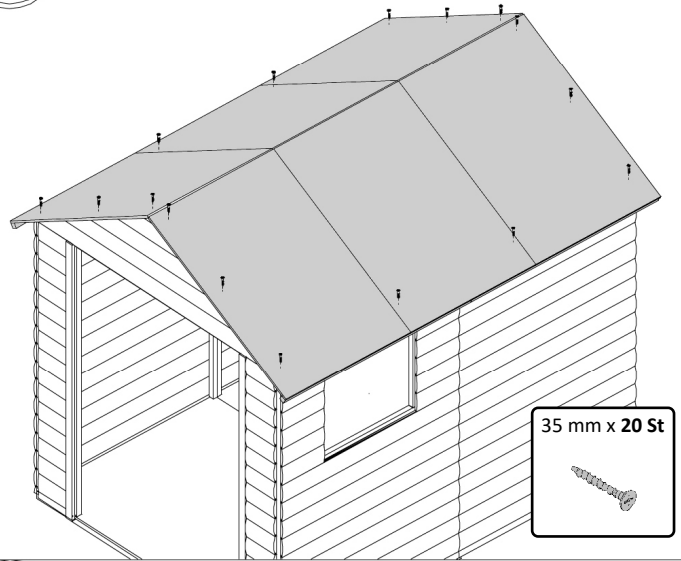
19.

19.1

A=B



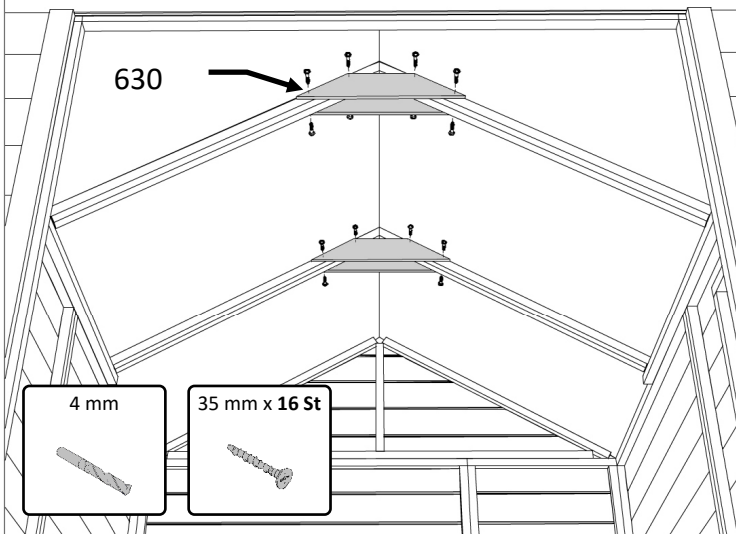
20.



35 mm x 20 St



21.



630

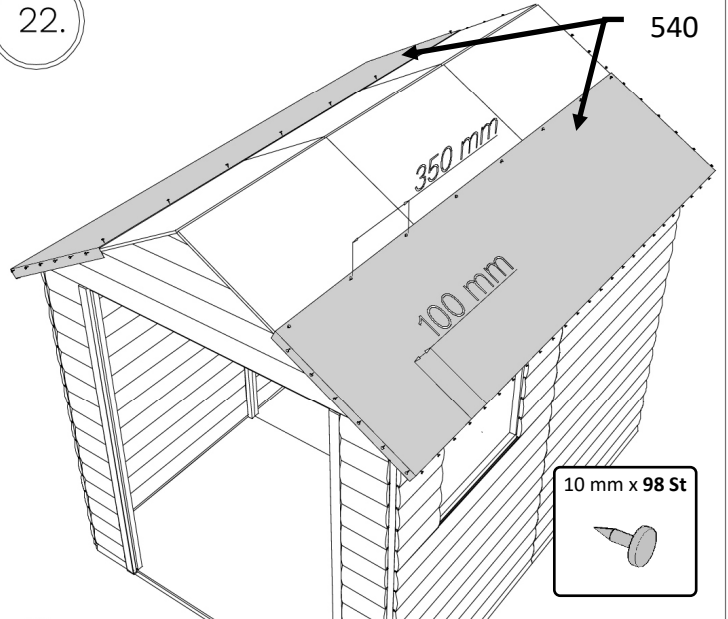
4 mm



35 mm x 16 St



22.



540

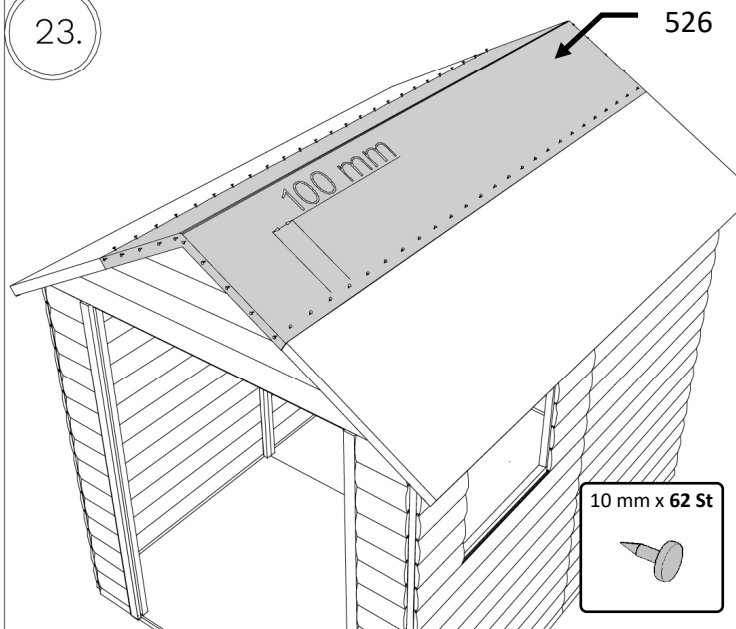
350 mm

100 mm

10 mm x 98 St



23.



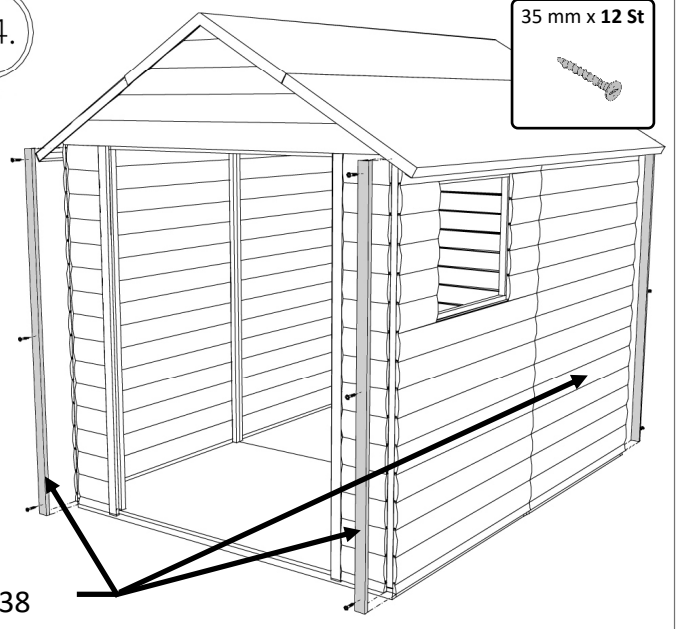
526

100 mm

10 mm x 62 St



24.



35 mm x 12 St



738



